

# BUCKET ELEVATORS





# More Sweet® Features

### Rubber Belting

Engineered to exact strength (PIW) requirements  
Static conducting, oil and fire resistant rubber belt  
PVC belting optional

### Heavy-Gauge Trunking

Provides structural support at all discharge heights  
Continuous weathertight lockseam construction standard  
Bolted construction optional

### Crown-Face Drum/ Elevator Boot Pulley

Slotted wing-style, self-cleaning pulley optional

### Screw Take-Ups

For easy belt adjustment (gravity take-ups – Titan Series standard, all other models optional)

### Heavy-Duty Flange Bearings

No bearing seals are exposed to interior of boot  
Pillow block with split housings  
Spherical roller bearings on Titans

### UHMW Bearing Seal Plate

### Reinforced Boot Sides

“The Quality Line”

### Galvanized Trunking Flanges

Welded in a precise fixture for cost savings in erection  
Trunk sections stack straight

### Safety Labels

Appropriately applied throughout the bucket elevator

### Sweetheart™ Steel or High-Density Polyethylene or Injection Molded Nylon and/or Polyurethane Buckets Available

Accurate capacity ratings

### Sectional Service Panels (Atom Through Ace II)

Allow easy authorized access for belt and bucket maintenance  
Four modular 2' panels, front and rear

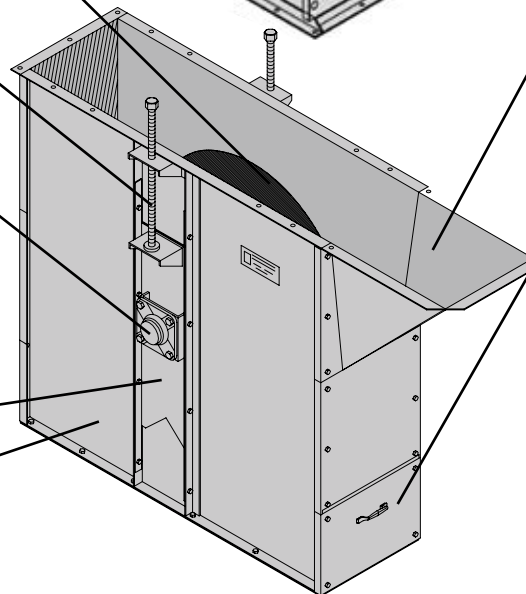
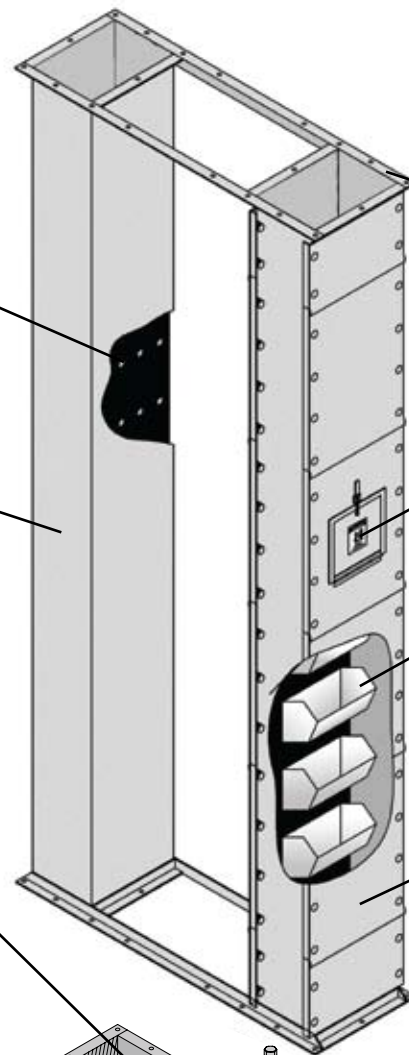
### Tapered Boot Hopper

Properly directs flow for maximum bucket fill with 10GA galvanized liner or other optional liners

### Boot Clean-Out

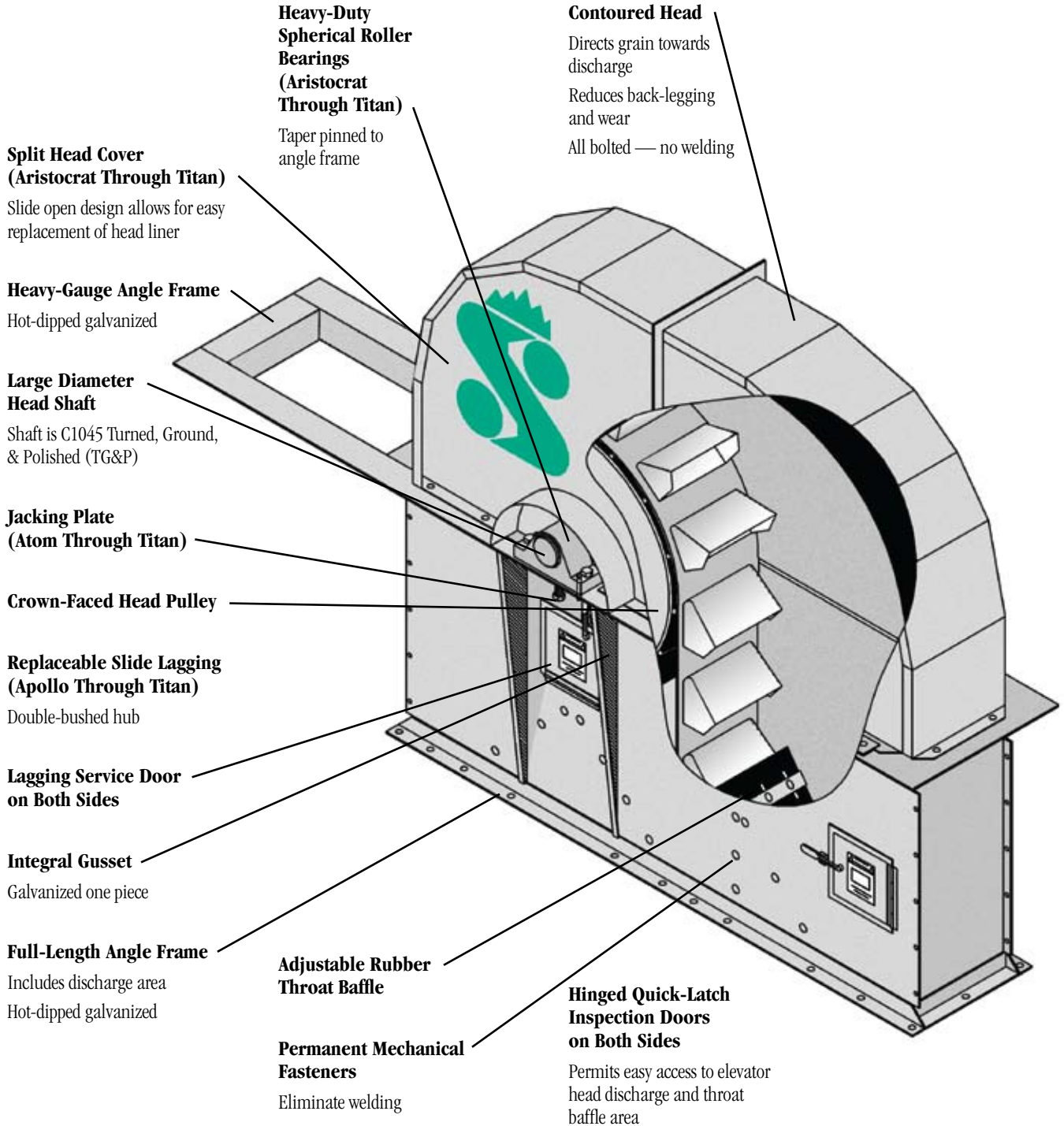
Provide easy access and clean-out

Always the Best Value



# Why Specify Silver-Sweet® Galvanized Bucket Elevators

## Compare the Features





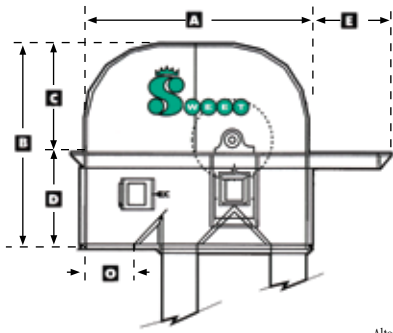
## Standard Specifications — Silver-Sweet® Bucket Elevators

Model	Class	Casing	Box	A	B	C	D	E	F	G	H	I	J	K	L	M	O	P	Q
BANTAM I	0	8 x 16	—	27	24	12	12	11	8	—	—	16	24	11	6.5	14	8	8	6
ATOM I	I	9 x 26	9 x 8	44	38	24	14	20	9	8	10	26	32	12	7	20	9	13	9
ATOM II	I	9 x 26	9 x 8	44	38	24	14	20	9	8	10	26	32	12	7	20	9	13	9
BANTAM II	I	12 x 26	12 x 8	46	42	23	19	22	12	8	10	26	32	14	10	20	12	14	8
APOLLO I	II	12 x 34	12 x 9	55	47	28	19	24	12	9	16	34	39	15	10	24	12	15	8
APOLLO II	II	12 x 34	12 x 9	55	47	28	19	24	12	9	16	34	39	15	10	24	12	15	8
APOLLO III	II	12 x 34	12 x 9	55	47	28	19	24	12	9	16	34	39	15	10	24	12	15	8
DUKE II	III	14 x 42	14 x 10	66	59	32	27	35	14	10	22	42	44	16	10	28	14	17	10
PRINCE	IV	14 x 48	14 x 10	75	69	37	32	32	14	10	28	48	48	18	10	30	14	20	10
QUEEN	IV	14 x 48	14 x 10	75	69	37	32	32	14	10	28	48	48	18	11	30	14	20	10
KING	IV	17 x 48	17 x 10	75	69	37	32	32	17	10	28	48	48	18	13	30	17	18	10
KING II	IV	20 x 48	20 x 10	75	69	37	32	32	20	10	28	48	48	18	16	30	17	18	10
ACE I	V	17 x 56	17 x 11	87	99	52	47	32	17	11	34	56	56	20	13	36	17	22	10
ACE II	V	20 x 56	20 x 11	87	99	52	47	32	20	11	34	56	56	20	16	36	17	22	10
MONARCH	VI	20 x 68	20 x 14	100	102	57	45	—	20	14	40	68	72	20	15	54	20	22	12
TITAN 10	VI	20 x 68	20 x 14	100	102	57	45	—	20	14	40	68	76	20	15	54	20	22	12
TITAN 15	VI	28 x 68	28 x 14	100	102	57	45	—	28	14	40	68	76	20	22	54	20	22	12
TITAN 20	VI	34 x 68	34 x 14	100	102	57	45	—	34	14	40	68	76	20	28	54	20	22	11
TITAN 25	VI	40 x 68	40 x 14	100	102	57	45	—	40	14	40	68	76	20	34	54	20	22	11
TITAN 30	VI	52 x 68	52 x 14	100	102	57	45	—	52	14	40	68	76	20	44	54	20	22	11
TITAN 40	VI	66 x 68	66 x 14	100	102	57	45	—	66	14	40	68	76	20	58	54	20	22	11
TITAN 50	VI	80 x 68	80 x 14	100	102	57	45	—	80	14	40	68	76	20	72	54	20	22	11

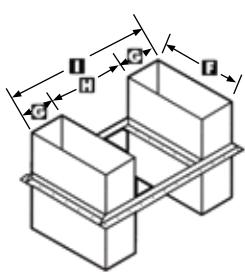
## Capacities at a Glance

Series	Model	Pully dia.	Bucket Size	N Spacing	Cap bu/hr	Cap Cu.ft./hr	MTPH	FPM Belt Speed	Pully RPM	Guage Head Liner	Guage Head	Guage Boot	Guage Legging
BANTAM	BANTAM I	4.5"	6 x 4	5	350-700	435-875	9-18	110-220	80-160	na	12	12	16*
	BANTAM II	11"	9 x 5	6	1000-2000	1250-2480	25-51	155-310	54-108	12	12	12	16**
ATOM	ATOM I	11"	6 x 4	6	800-1000	1000-1250	20-25	326	113	12	14	12	16***
	ATOM II	11"	6 x 5	6	1200-1500	1500-1875	30-38	326	113	12	14	12	16***
APOLLO	APOLLO I	18"	9 x 5	12	1400-1600	1750-2000	36-41	448	95	10	12	12	14†
	APOLLO II	18"	9 x 5	9	2000-2200	2500-2750	51-56	448	95	10	12	12	14†
	APOLLO III	18"	9 x 5	6	3000-3200	3750-4000	76-81	448	95	10	12	12	14†
ARISTOCRAT	DUKE II	24"	9 x 6	8	3000-3500	3750-4375	76-89	458	71	10	12	10	14†
	PRINCE	30"	9 x 6	8	3500-4000	4375-5000	89-102	518	66	10	12	10	14†
	QUEEN	30"	10 x 6	8	4000-4500	5000-5625	102-114	518	66	10	12	10	14†
	KING	30"	12 x 6	8	5000-5500	6250-6875	127-140	518	66	10	12	10	14†
	KING II	30"	15 x 6	8	5800-6900	7200-8600	146-175	518	66	10	12	10	14†
	ACE I	36"	12 x 7	9	6000-7000	7500-8750	152-178	565	60	1/4" poly	12	10	14†
	ACE II	36"	15 x 7	9	7500-8500	9375-10,625	190-216	565	60	1/4" poly	10	10	14†
	MONARCH	42"	14 x 9	10	10,000-12,000	12,500-15,600	254-309	630	56	1/4" poly	10	10	14†
TITAN	TITAN 10	42"	14 x 9	10	10,000-12,000	12,500-15,600	254-305	630	56	1/4" poly	10	1/4"	12†
	TITAN 15	42"	10 x 9 (2)	10	15,000-17,000	18,750-21,250	381-432	630	56	1/4" poly	10	1/4"	12†
	TITAN 20	42"	13 x 9 (2)	10	20,000-23,000	25,000-28,750	508-584	630	56	1/4" poly	10	1/4"	12†
	TITAN 25	42"	16 x 9 (2)	10	25,000-28,000	31,250-35,000	635-711	630	56	1/4" poly	10	1/4"	12†
	TITAN 30	42"	14 x 9 (3)	10	30,000-35,000	37,500-43,750	672-889	630	56	1/4" poly	10	1/4"	12†
	TITAN 40	42"	14 x 9 (4)	10	40,000-45,000	50,000-56,250	1016-1143	630	56	1/4" poly	10	1/4"	12†
	TITAN 50	42"	14 x 9 (5)	10	50,000-55,000	62,500-68,750	1270-1397	630	56	1/4" poly	10	1/4"	12†

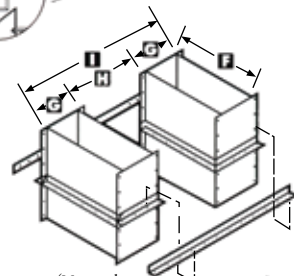
\*All 14 gauge over 50'. \*\*All 14 gauge over 80'. \*\*\*All 14 gauge over 100'. † Heavier gauge available as optional. All capacities rated using Sweetheart™ Steel Buckets. Capacity ranges are based on 75%-90% bucket fill. Optional plastic elevator buckets available. ‡ 65 lbs/ft³



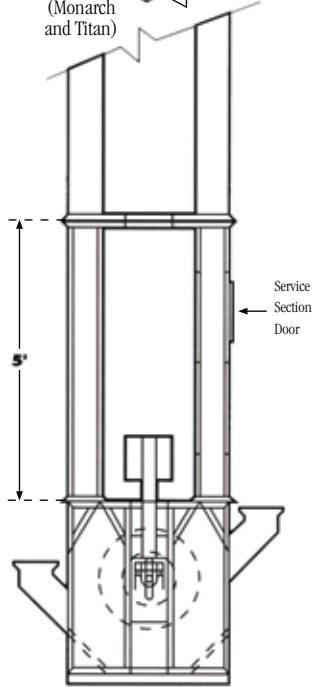
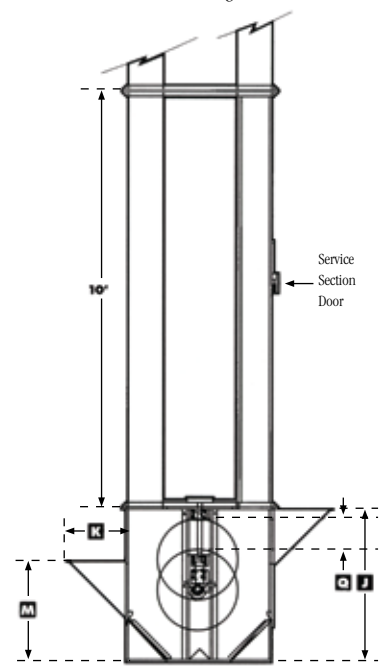
Alternate Discharge (45° Discharge Standard on Titan)



Bantam II Through Ace II

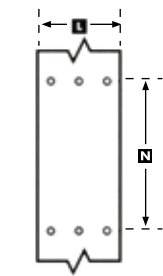


(Monarch and Titan)

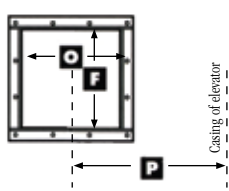


Dimensions are approximate to the nearest whole inch and are subject to change without notice.

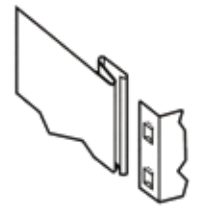
Boot Gravity Take-up (Titan Series)



Belt Dimensions and Bucket Spacing



Discharge Flange Assembly



16 gauge and 14 gauge Lockseam Trunking

## Options For Bucket Elevators



Head Service Platform



Cage and ladder



Double 8" Bolted Access Panel



Explosion Relief Panel-Trunking

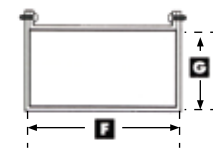


Explosion Relief Panel-Head

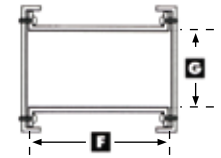


Boot Gravity Take-up

## Alternate Construction For Bucket Elevator Trunking



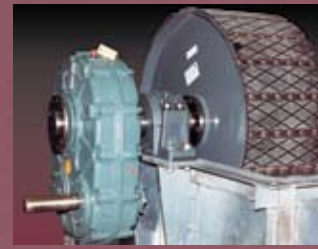
Aristocrat Bolted Trunking



Titan Bolted Trunking

MOVING INTO THE NEXT GENERATION

## BUCKET ELEVATORS



  
MANUFACTURING COMPANY

Telephone 937-325-1511  
Fax 937-322-1963  
Toll Free 1-800-334-7254

Website: [www.sweetmfg.com](http://www.sweetmfg.com)  
E-mail: [sales@sweetmfg.com](mailto:sales@sweetmfg.com)

  
The Governor's Excellence  
in Exporting Award

MEMBER OF  


P.O. Box 1086  
Springfield, OH 45501