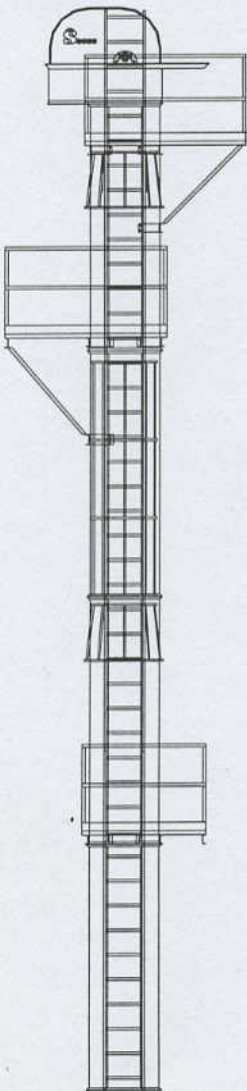


I276060



MANUFACTURING COMPANY

LADDER AND CAGE ASSEMBLY



NOTES:

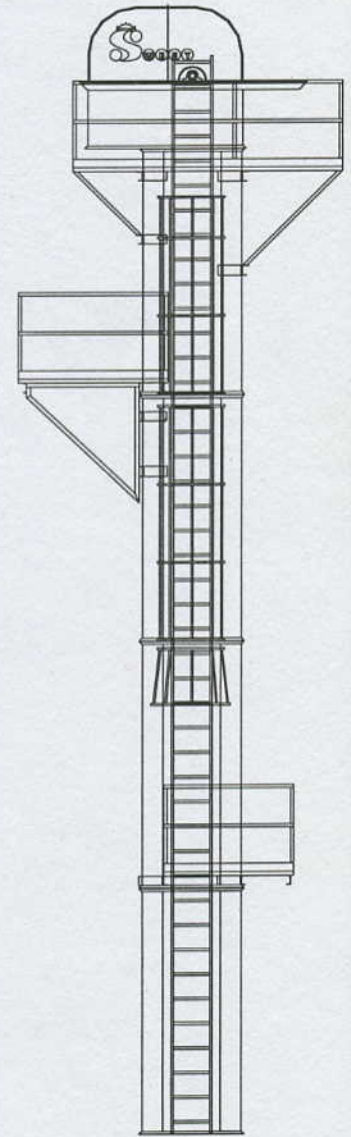
LADDERS PASSING THROUGH HEAD AND INTERMEDIATE PLATFORMS SHOULD BE 13 FEET IN LENGTH.

DISTRIBUTOR AND INTERMEDIATE PLATFORMS SHOULD BE MOUNTED ABOVE LEG FLANGE.

ALL ELEVATORS REQUIRE 275967, 10' CAGE FOR UNDER HEAD PLATFORM WHEN USING A DISTRIBUTOR PLATFORM EXCEPT: ATOM, APOLLO, BANTAM II, CANE, DART AND EXPO.

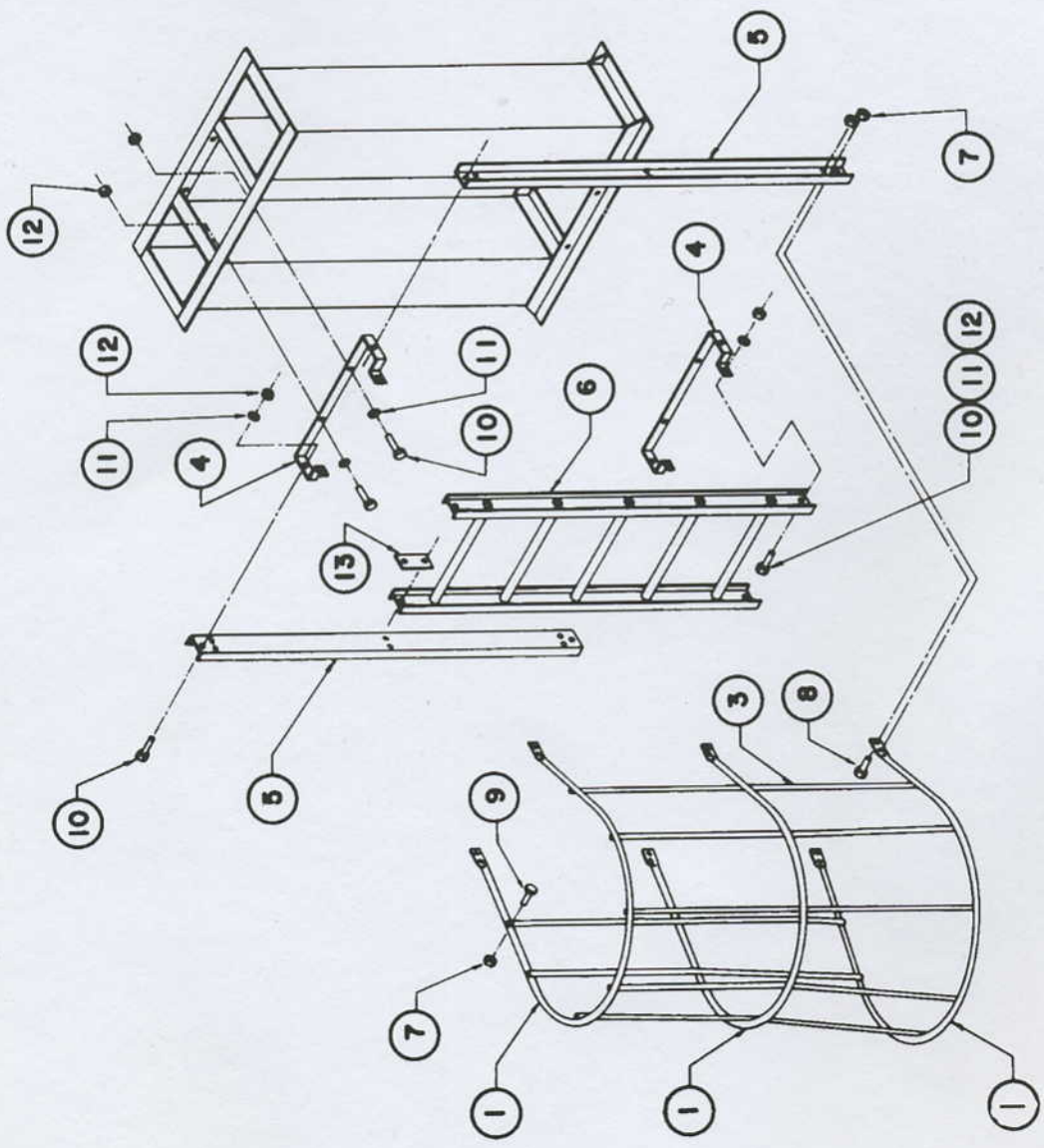
DEPENDING ON LOCATION OF SERVICE DOOR AND ODD SECTION OF TRUNKING, USE CORRECT CAGE SO THAT SIDE CHANNELS EXTEND THE FULL DISTANCE BETWEEN LEG FRAMES.

NOT ALL POSSIBLE LADDER AND CAGE COMBINATIONS ARE ILLUSTRATED.



BILL OF MATERIAL

ITEM	QTY	PART NUMBER	DESCRIPTION
13	2	275408	PLATE, SPLICE
12	12	400542	NUT, HEX 3/8-16, NYLON LOCK
11	12	400522	WASHER, FLAT 3/8
10	12	400082	BOLT, HEX HEAD 3/8-16 X 1
9	21	400045	BOLT, HEX HEAD 5/16-18 X 1 1/2
8	12	400042	BOLT, HEX HEAD 5/16-18 X 3/4
7	33	400541	NUT, HEX 5/16 X 18, NYLON LOCK
6	1	451547	LADDER 5 FOOT SECTION
5	2	276096	CHANNEL, RING MOUNTING
4	2	G276013	BRACKET, LADDER
3	7	276091	CONNECTOR, RING 54 3/4
2			
1	3	R276093	RING, STANDARD



5'-0" LADDER ASSEMBLY 275898
 5'-0" CAGE ASSEMBLY STANDARD 275970

LAST PLOT: 18 JAN 78 DBI W.O.#

THIS DRAWING AND THE INFORMATION CONTAINED HEREIN IS AND SHALL REMAIN THE PROPERTY OF SWEET MFG. CO. AND CANNOT BE USED OR REPRODUCED WITHOUT PERMISSION.

Sweet's MANUFACTURING CO. AUTOCAD R13
 2000 E. LEFFEL LANE SPRINGFIELD, OHIO

INSTALLATION INSTRUCTIONS, LADDER & CAGE
 FOR: 5' LADDER, ATOM

DATE: 18 JAN 78

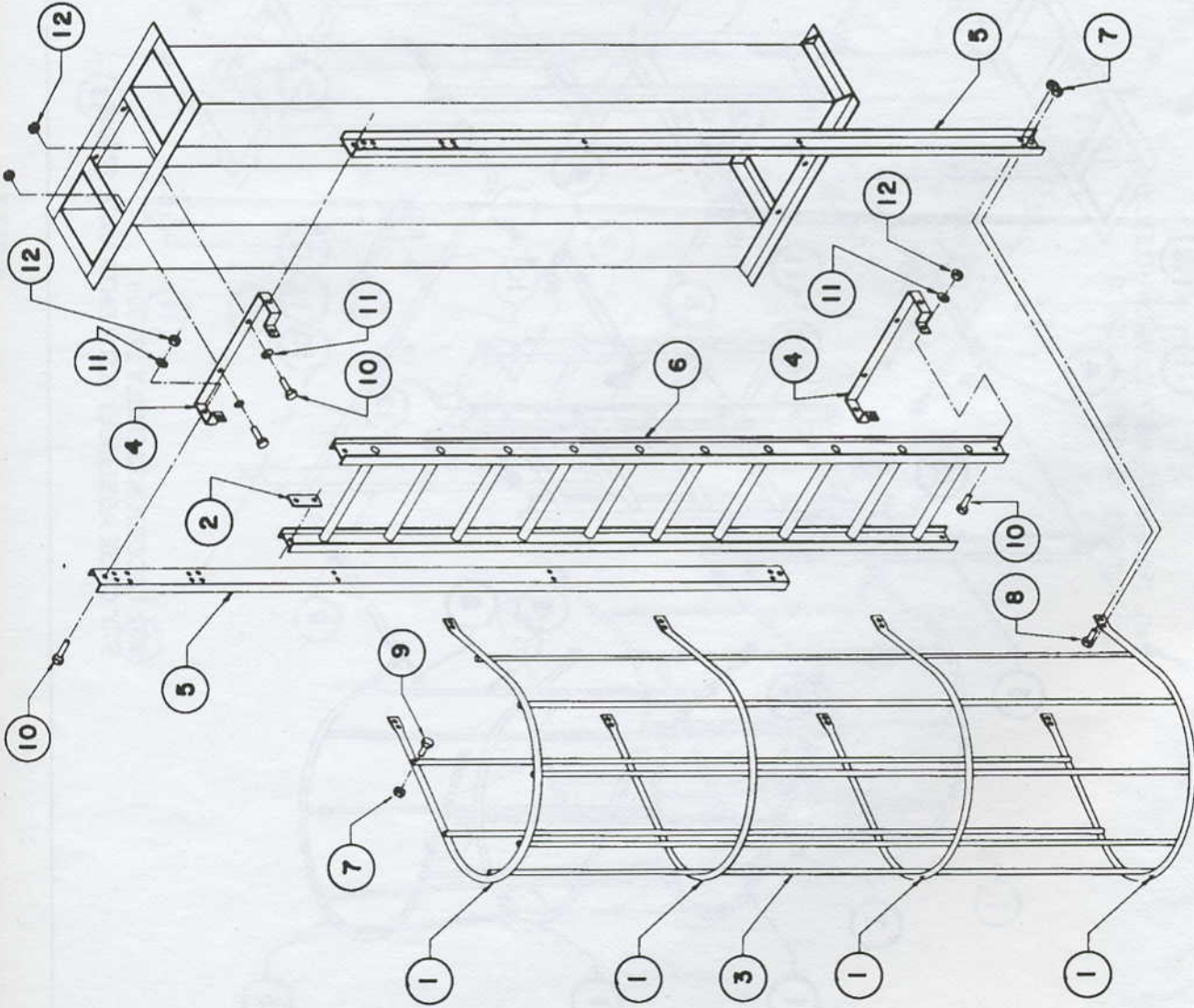
UNLESS OTHERWISE SPECIFIED, ALL DIMENSIONS SHALL BE: ANGULAR ±1/2° FINISH ±.015

DESIGNED BY: C. VOGEL
 DRAWN BY: J.B. - JAN - 78
 CHECKED BY: []
 WEIGHT: 276066

BILL OF MATERIAL

ITEM	QTY	PART NUMBER	DESCRIPTION
12	12	400542	NUT, HEX 3/8-16, NYLON LOCK
11	12	400522	WASHER, FLAT 3/8
10	12	400082	BOLT, HEX HEAD 3/8-16 X 1
9	28	400045	BOLT, HEX HEAD 5/16-18 X 1 1/2
8	16	400042	BOLT, HEX HEAD 5/16-18 X 3/4
7	44	400541	NUT, HEX 5/16 X 18, NYLON LOCK
6	1	451548	LADDER 10 FOOT SECTION
5	2	276095	CHANNEL, RING MOUNTING
4	2	G276013	BRACKET, LADDER
3	7	276089	CONNECTOR, RING 114 3/4
2	2	275408	PLATE, SPLICE
1	4	R276093	RING, STANDARD

10'-0" LADDER ASSY. 275899
 10'-0" CAGE ASSY. STANDARD 275971



LAST PLOT: 5/13/87

DBI W.O.#

THIS DRAWING AND THE INFORMATION CONTAINED HEREON
 IS UNCLASSIFIED EXCEPT WHERE SHOWN OTHERWISE
 AND CANNOT BE USED OR REPRODUCED WITHOUT PERMISSION.



2000 E. LEFFEL LANE
 SPRINGFIELD, OHIO

AUTOCAD R13
 INSTALLATION INSTRUCTIONS, LADDER & CAGE

FOR: 10' LADDER, ATOM

DATE: 11/81

SCALE: 1/2" = 1'-0"

BY: C. VOGEL

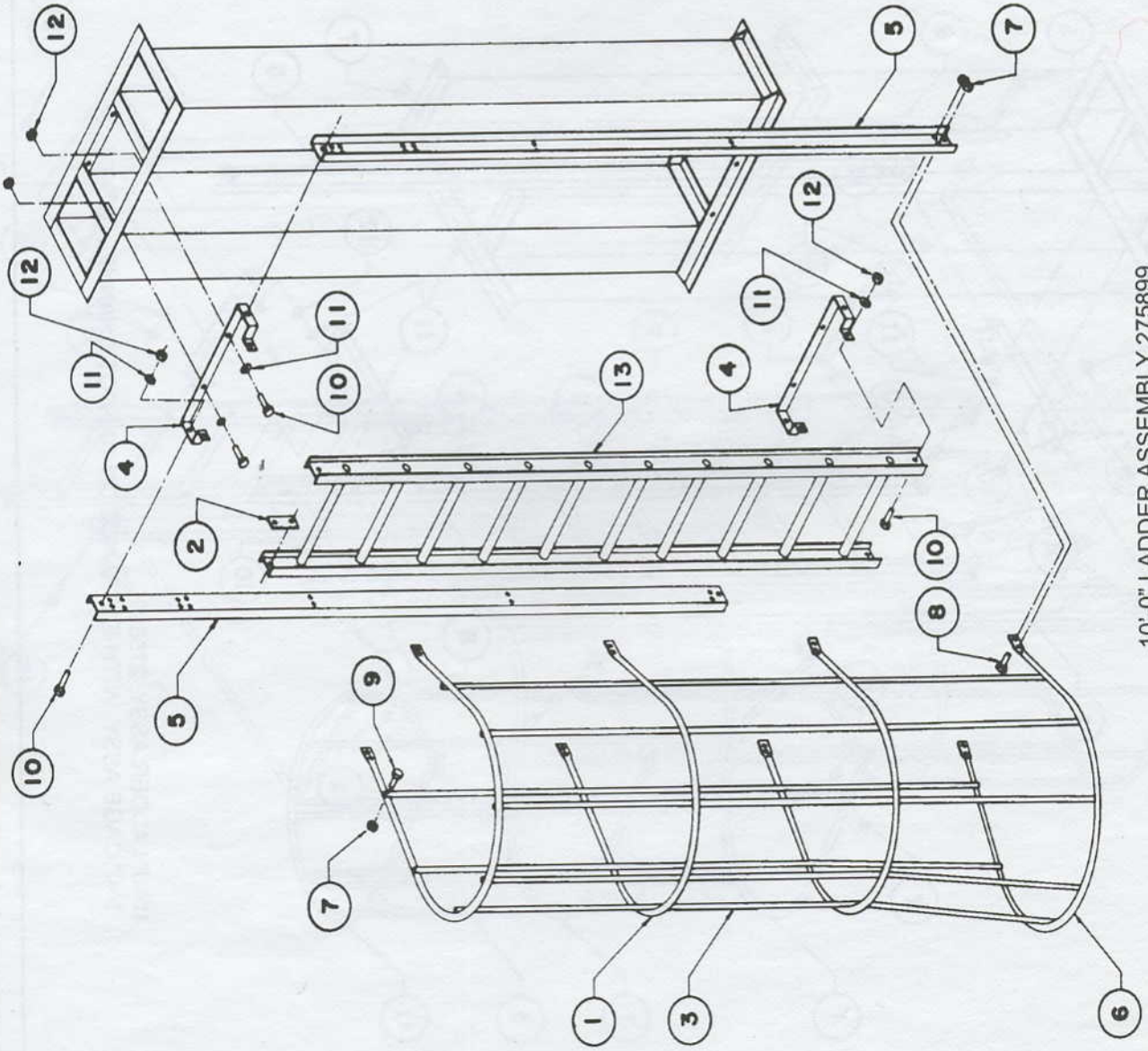
DATE: 11-81

17-FEB-78

276068

BILL OF MATERIAL

ITEM	QTY	PART NUMBER	DESCRIPTION
13	1	451548	LADDER, 10' SECTION
12	12	400542	NUT, HEX 3/8-16, NYLON LOCK
11	12	400522	WASHER, FLAT 3/8
10	12	400082	BOLT, HEX HEAD 3/8-16 X 1
9	28	400045	BOLT, HEX HEAD 5/16-18 X 1 1/2
8	16	400042	BOLT, HEX HEAD 5/16-18 X 3/4
7	44	400541	NUT, HEX 5/16 X 18, NYLON LOCK
6	1	R276094	RING, ENTRANCE
5	2	276095	CHANNEL, RING MOUNTING
4	2	G276013	BRACKET, LADDER
3	7	276089	CONNECTOR, RING 1 1/4 3/4
2	2	275408	PLATE, SPLICE
1	3	R276093	RING, STANDARD



10'-0" LADDER ASSEMBLY 275899
 10'-0" CAGE, ASSEMBLY, WITH ENTRANCE 275969

LAST PLOT: 14 FEB 78 DBI W.O.#

THIS DRAWING AND THE INFORMATION CONTAINED HEREON IS THE PROPERTY OF S.W. VOGEL AND COMPANY. IT IS TO BE KEPT IN CONFIDENCE AND NOT TO BE REPRODUCED WITHOUT PERMISSION.

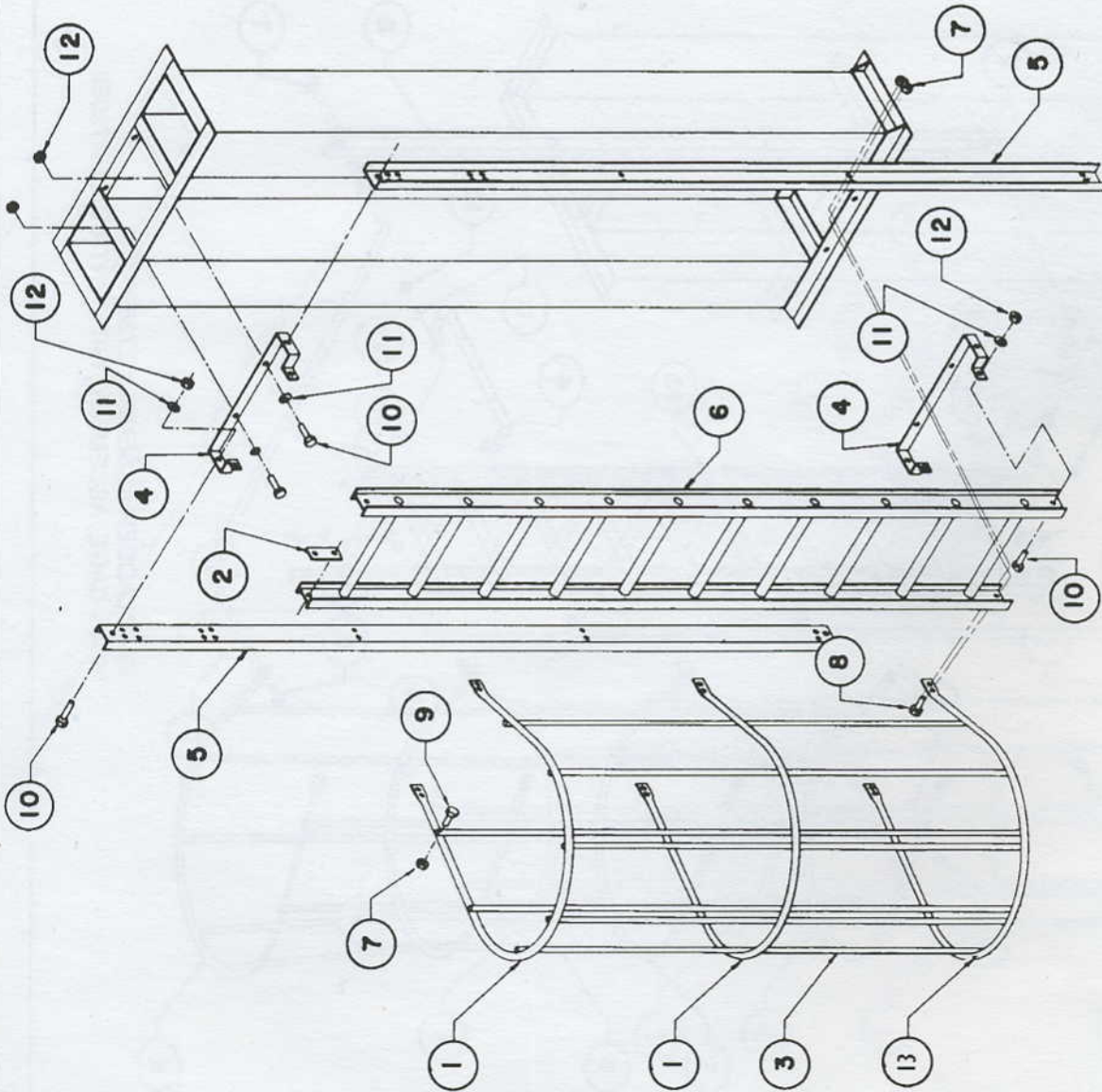
S.W. VOGEL MANUFACTURING CO. 2000 E. LEFFEL LANE SPRINGFIELD, OHIO AutoCAD R13

INSTALLATION INSTRUCTIONS, LADDER & CAGE
 FOR: 10' LADDER, ATOM

DATE: 1/14/78
 DRAWN BY: J. VOGEL
 CHECKED BY: J. VOGEL
 SCALE: AS SHOWN
 SHEET NO.: 14-FEB-78
 DRAWING NO.: 276067

BILL OF MATERIAL

ITEM	QTY	PART NUMBER	DESCRIPTION
13	1	R276094	RING, ENTRANCE
12	12	400542	NUT, HEX 3/8-16, NYLON LOCK
11	12	400522	WASHER, FLAT 3/8
10	12	400082	BOLT, HEX HEAD 3/8-16 X 1
9	21	400045	BOLT, HEX HEAD 5/16-18 X 1 1/2
8	16	400042	BOLT, HEX HEAD 5/16-18 X 3/4
7	37	400541	NUT, HEX 5/16 X 18, NYLON LOCK
6	1	451548	LADDER 10 FOOT SECTION
5	2	276095	CHANNEL, RING MOUNTING
4	2	G276013	BRACKET, LADDER
3	7	276091	CONNECTOR, RING 54 3/4
2	2	275408	PLATE, SPLICE
1	2	R276093	RING, STANDARD



10'-0" LADDER ASSY. 275899
 5'-0" CAGE ASSY. WITH ENTRANCE ON 10 FOOT CHANNEL 275965

LAST PLOT: 5\13\87

DBI

W.O.#

THIS DRAWING AND THE INFORMATION CONTAINED HEREON
 IS UNCLASSIFIED EXCEPT WHERE SHOWN OTHERWISE
 AND CANNOT BE USED OR REPRODUCED WITHOUT PERMISSION.

2000 E. LEFFEL LANE
 SPRINGFIELD, OHIO

AUTOCAD R13

INSTALLATION INSTRUCTIONS, LADDER & CAGE
 FOR: 10' LADDER, ATOM

DATE: 11/21/87
 DRAWN BY: A
 CHECKED BY: B

SCALE: 1"=1'-0"

DATE: 11/21/87

NO. 276078

REV. 1

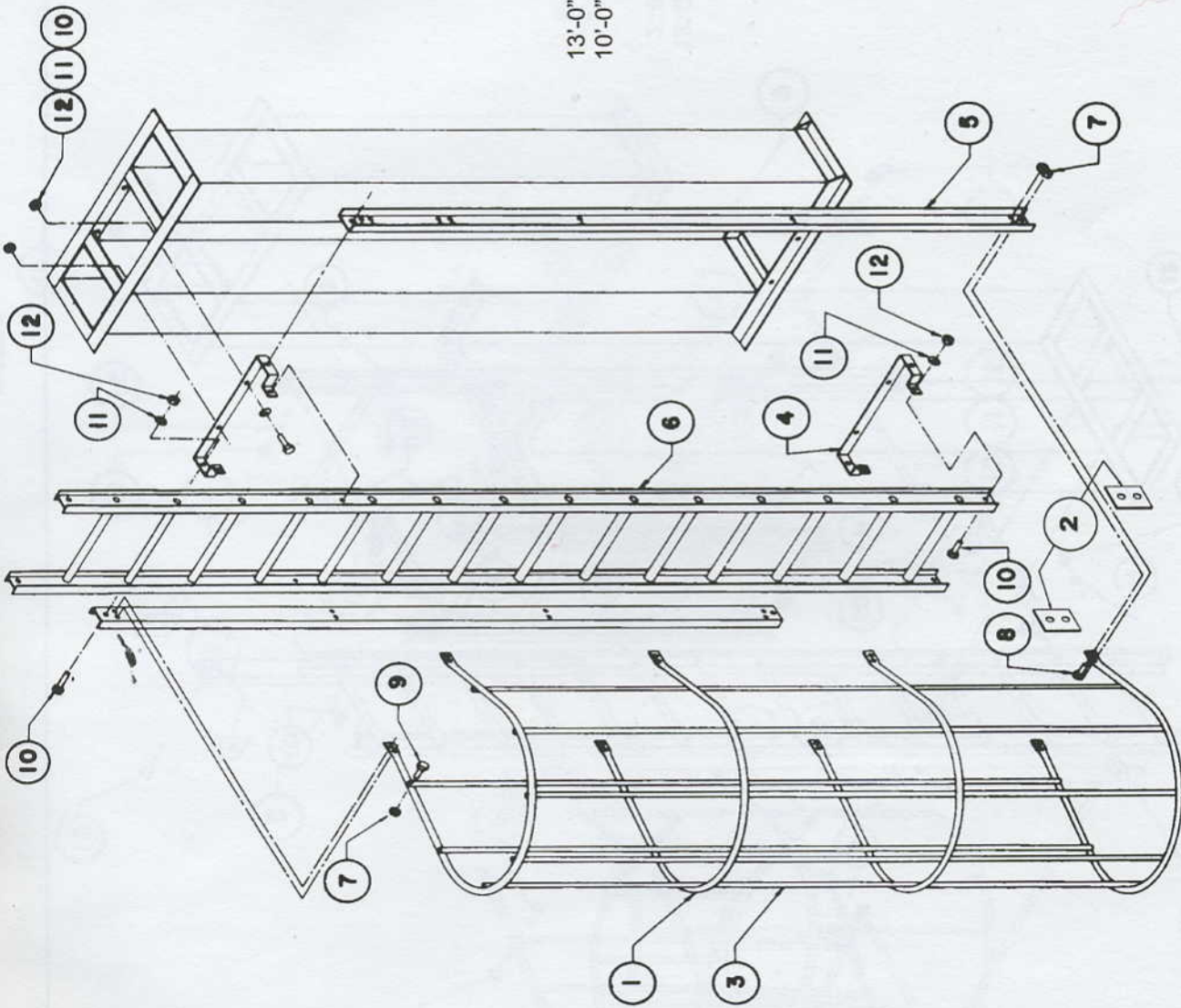
DATE: 11-21-87

NO. 276078

BILL OF MATERIAL

ITEM	QTY	PART NUMBER	DESCRIPTION
12	12	400542	NUT, HEX 3/8-16, NYLON LOCK
11	12	400522	WASHER, FLAT 3/8
10	12	400082	BOLT, HEX HEAD 3/8-16 X 1
9	28	400045	BOLT, HEX HEAD 5/16-18 X 1 1/2
8	16	400042	BOLT, HEX HEAD 5/16-18 X 3/4
7	44	400541	NUT, HEX 5/16 X 18, NYLON LOCK
6	1	451550	LADDER 13 FOOT SECTION
5	2	276095	CHANNEL, RING MOUNTING
4	2	G276013	BRACKET, LADDER
3	7	276090	CONNECTOR, RING 102 1/4
2	2	275408	PLATE, SPLICE
1	4	R276093	RING, STANDARD

13'-0" LADDER ASSEMBLY 276105
 10'-0" UNDER PLATFORM CAGE ASSY. 275967



LAST PLOT: 5/13/87 DBI W.O.#

THIS DRAWING AND THE INFORMATION CONTAINED HEREON ARE THE PROPERTY OF DBI INDUSTRIES, INC. AND SHALL NOT BE REPRODUCED WITHOUT PERMISSION.

3000 E. LEFTEL LANE
 SPRINGFIELD, OHIO

AutoCAD R13

MANUFACTURING CO.

INSTALLATION INSTRUCTIONS, LADDER & CAGE
 FOR: 13' LADDER, ATOM

UNDER PLATFORM

SCALE: 1/4" = 1'-0"

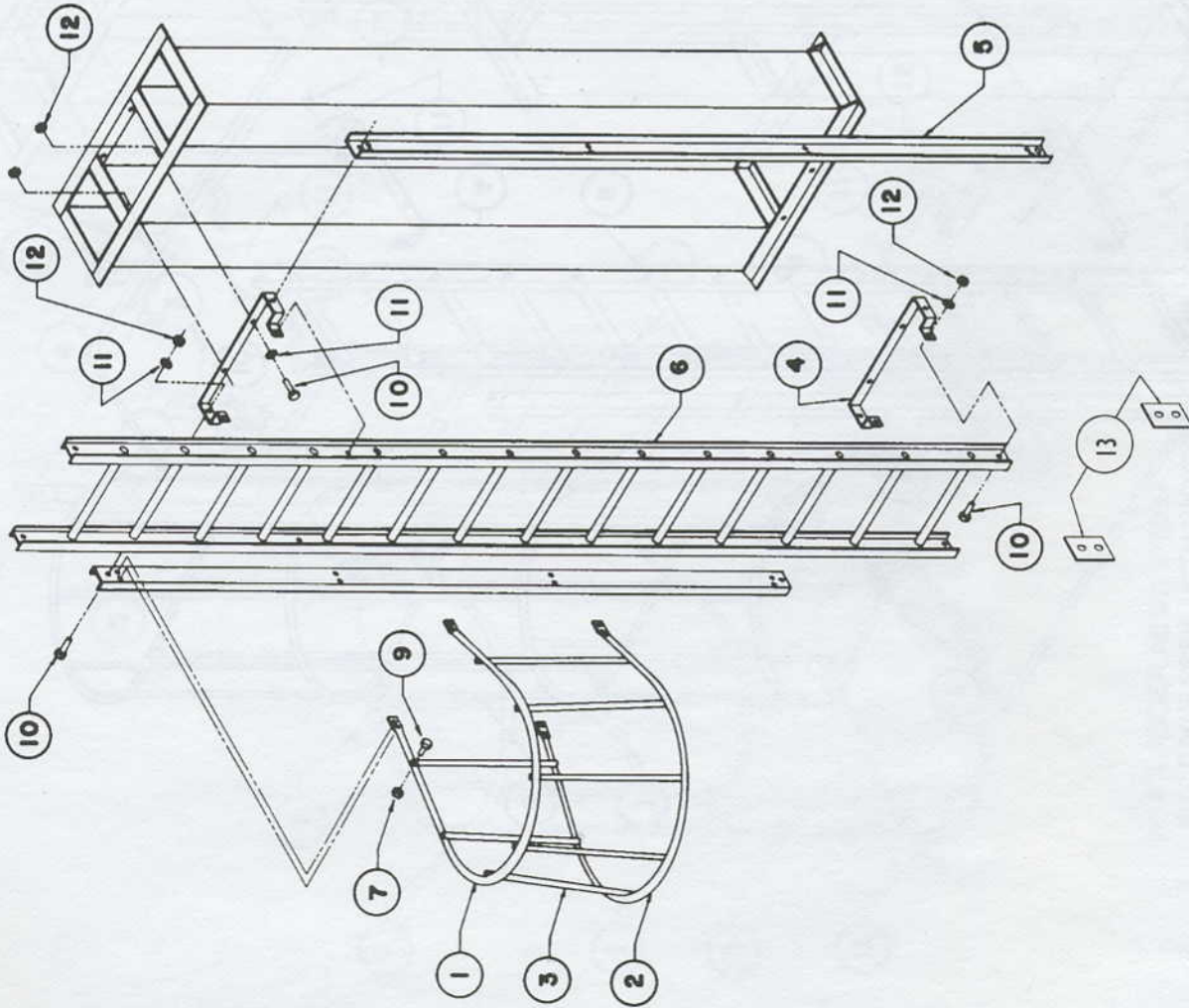
DATE: 14-FEB-78

276073

BILL OF MATERIAL

ITEM	QTY	PART NUMBER	DESCRIPTION
13	2	275408	PLATE, SPLICE
12	12	400542	NUT, HEX 3/8-16, NYLON LOCK
11	12	400522	WASHER, FLAT 3/8
10	12	400082	BOLT, HEX HEAD 3/8-16 X 1
9	14	400045	BOLT, HEX HEAD 5/16-18 X 1 1/2
8	8	400042	BOLT, HEX HEAD 5/16-18 X 3/4
7	22	400541	NUT, HEX 5/16 X 18, NYLON LOCK
6	1	451550	LADDER 13 FOOT SECTION
5	2	276095	CHANNEL, RING MOUNTING
4	2	276013	BRACKET, LADDER
3	7	276092	CONNECTOR, RING 26 1/4
2	1	R276094	RING, ENTRANCE
1	1	R276093	RING, STANDARD

13'-0" LADDER ASSEMBLY 276105
 2'-0" CAGE ASSY. WITH ENTRANCE 275967



LAST PLOT: 18/JAN/78 DBI W.O.#

THIS DRAWING AND THE INFORMATION CONTAINED HEREON IS THE PROPERTY OF THE DRAWING COMPANY AND SHALL NOT BE REPRODUCED OR TRANSMITTED IN ANY FORM OR BY ANY MEANS, ELECTRONIC OR MECHANICAL, INCLUDING PHOTOCOPYING, RECORDING, OR BY ANY INFORMATION STORAGE AND RETRIEVAL SYSTEM, WITHOUT PERMISSION.

S 20000
 MANUFACTURING CO.
 2000 E. LEFFEL LANE
 SPRINGFIELD, OHIO

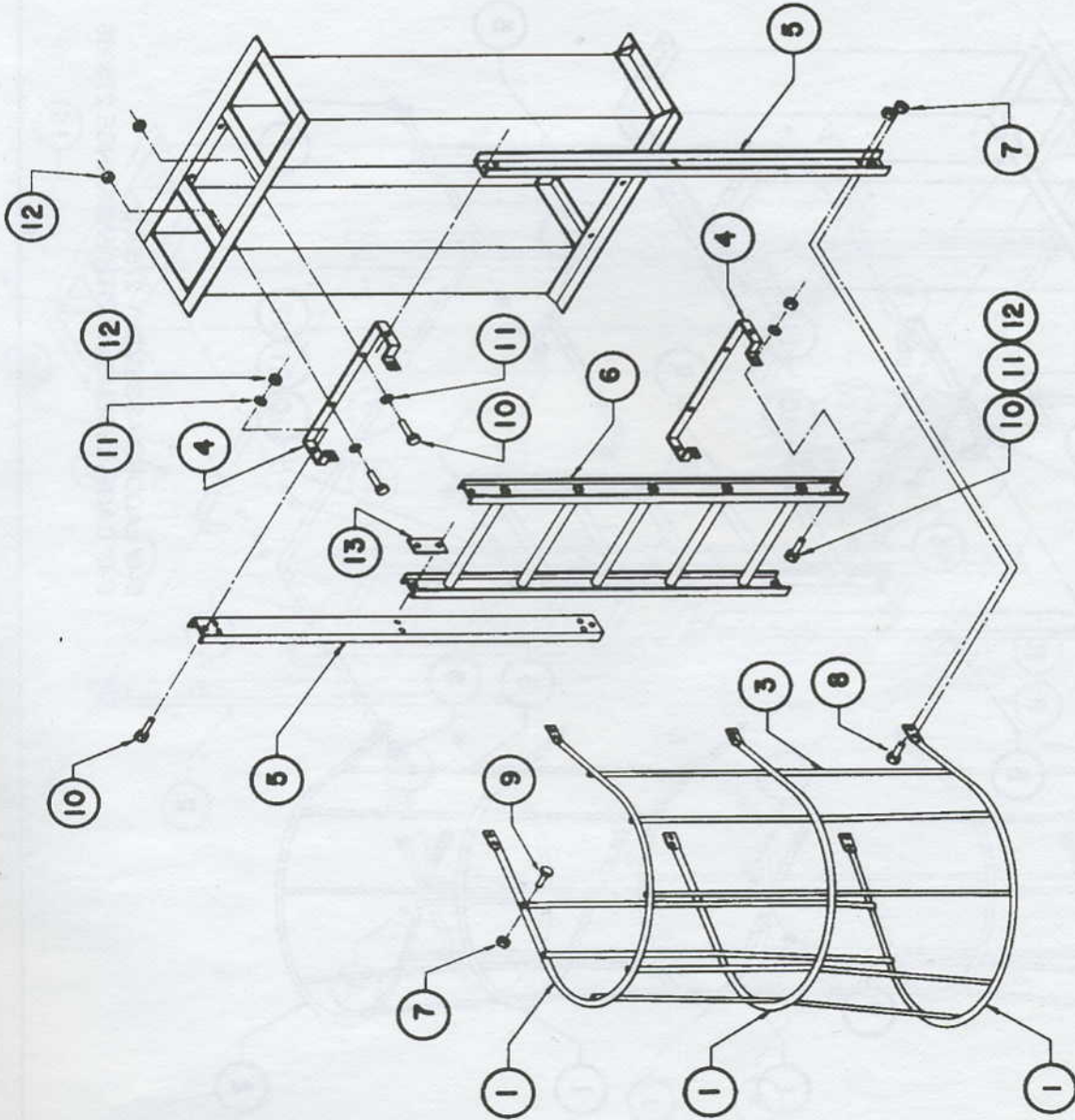
INSTALLATION INSTRUCTIONS, LADDER & CAGE
 FOR: 13' LADDER, ATOM

DATE: 05/81
 DRAWN BY: C. VOGEL
 CHECKED BY: [Signature]
 SCALE: 1/8" = 1'-0"
 SHEET NO.: 276074

BILL OF MATERIAL

ITEM	QTY	PART NUMBER	DESCRIPTION
13	2	275408	PLATE, SPLICE
12	12	400542	NUT, HEX 3/8-16, NYLON LOCK
11	12	400522	WASHER, FLAT 3/8
10	12	400082	BOLT, HEX HEAD 3/8-16 X 1
9	21	400045	BOLT, HEX HEAD 5/16-18 X 1 1/2
8	12	400042	NUT, HEX 5/16 X 18, NYLON LOCK
7	33	400541	LADDER 5 FOOT SECTION
6	1	451547	CHANNEL, RING MOUNTING
5	2	276096	BRACKET, LADDER
4	2	G275407	CONNECTOR, RING 54 3/4
3	7	276091	RING, STANDARD
2	-	-	-
1	3	R276093	RING, STANDARD

5'-0" LADDER ASSEMBLY 275900
5'-0" CAGE ASSEMBLY STANDARD 275970



LAST PLOT: 18 JAN 78

DBI

W.O.#

ALL RIGHTS RESERVED. THIS DOCUMENT IS THE PROPERTY OF DBI INDUSTRIES, INC. AND SHALL REMAIN THE PROPERTY OF DBI INDUSTRIES, INC. IT AND ITS CONTENTS ARE NOT TO BE REPRODUCED WITHOUT PERMISSION.



MANUFACTURING CO.

2000 E. LEFFEL LANE

SPRINGFIELD, OHIO

AVISCAD R13

INSTALLATION INSTRUCTIONS, LADDER & CAGE

212 DW #84

A FOR: 5' LADDER, APOLLO-ACE

1124 CS 2477

B MATERIAL

UNLESS OTHERWISE SPECIFIED, ALL DIMENSIONS SHALL BE IN INCHES.

SCALE: 1/2" = 1'-0"

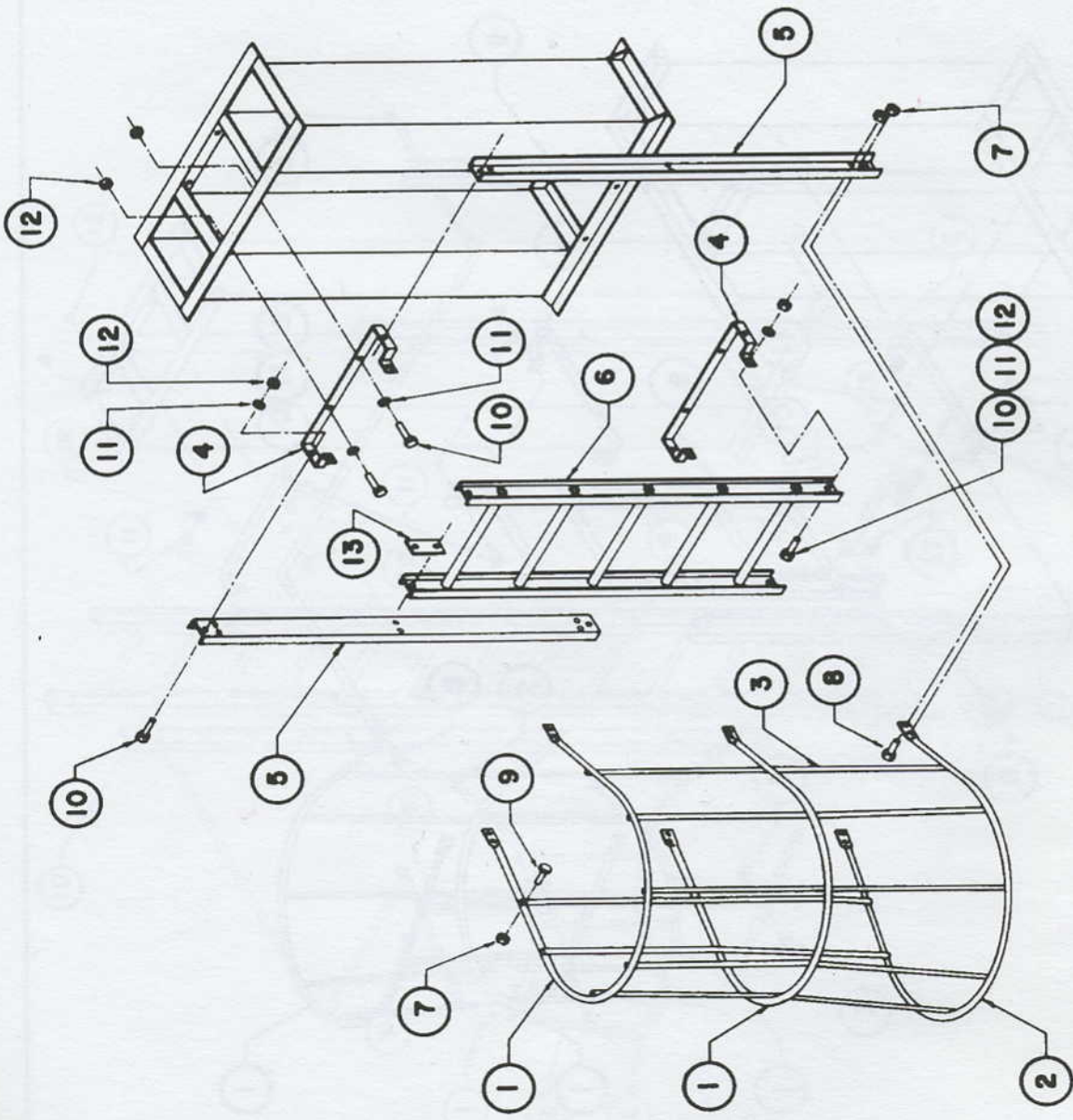
DATE: 18 JAN 78

BY: C. VOGEL

276062

BILL OF MATERIAL

ITEM	QTY	PART NUMBER	DESCRIPTION
13	2	275408	PLATE, SPLICE
12	12	400542	NUT, HEX 3/8-16, NYLON LOCK
11	12	400522	WASHER, FLAT 3/8
10	12	400082	BOLT, HEX HEAD 3/8-16 X 1
9	21	400045	BOLT, HEX HEAD 5/16-18 X 1 1/2
8	12	400042	BOLT, HEX HEAD 5/16-18 X 3/4
7	33	400541	NUT, HEX 5/16 X 18, NYLON LOCK
6	1	451547	LADDER 5 FOOT SECTION
5	2	276096	CHANNEL, RING MOUNTING
4	2	G275407	BRACKET, LADDER
3	7	276091	CONNECTOR, RING 54 3/4
2	1	R276084	RING, ENTRANCE
1	2	R276093	RING, STANDARD



5'-0" LADDER ASSEMBLY 275900
 5'-0" CAGE ASSEMBLY WITH ENTRANCE 275968

LAST PLOT: 18 JAN 78 DBI W.O.#

THIS DRAWING AND THE INFORMATION CONTAINED HEREIN IS UNCLASSIFIED EXCEPT WHERE SHOWN OTHERWISE AND CANNOT BE USED OR REPRODUCED WITHOUT PERMISSION.

2000 E. LEFFEL LANE SPRINGFIELD, OHIO

Autocad R13

MANUFACTURING CO. INSTALLATION INSTRUCTIONS, LADDER & CAGE FOR: 5' LADDER, APOLLO-ACE

212 091 11# A MATERIAL

1124 CS 3/10 B

QUANTITY ORDERED: 20000

DATE ORDERED: 11/25/82

DATE: 08/11/81

BY: C. VOGEL

SCALE: 1"=1'-0"

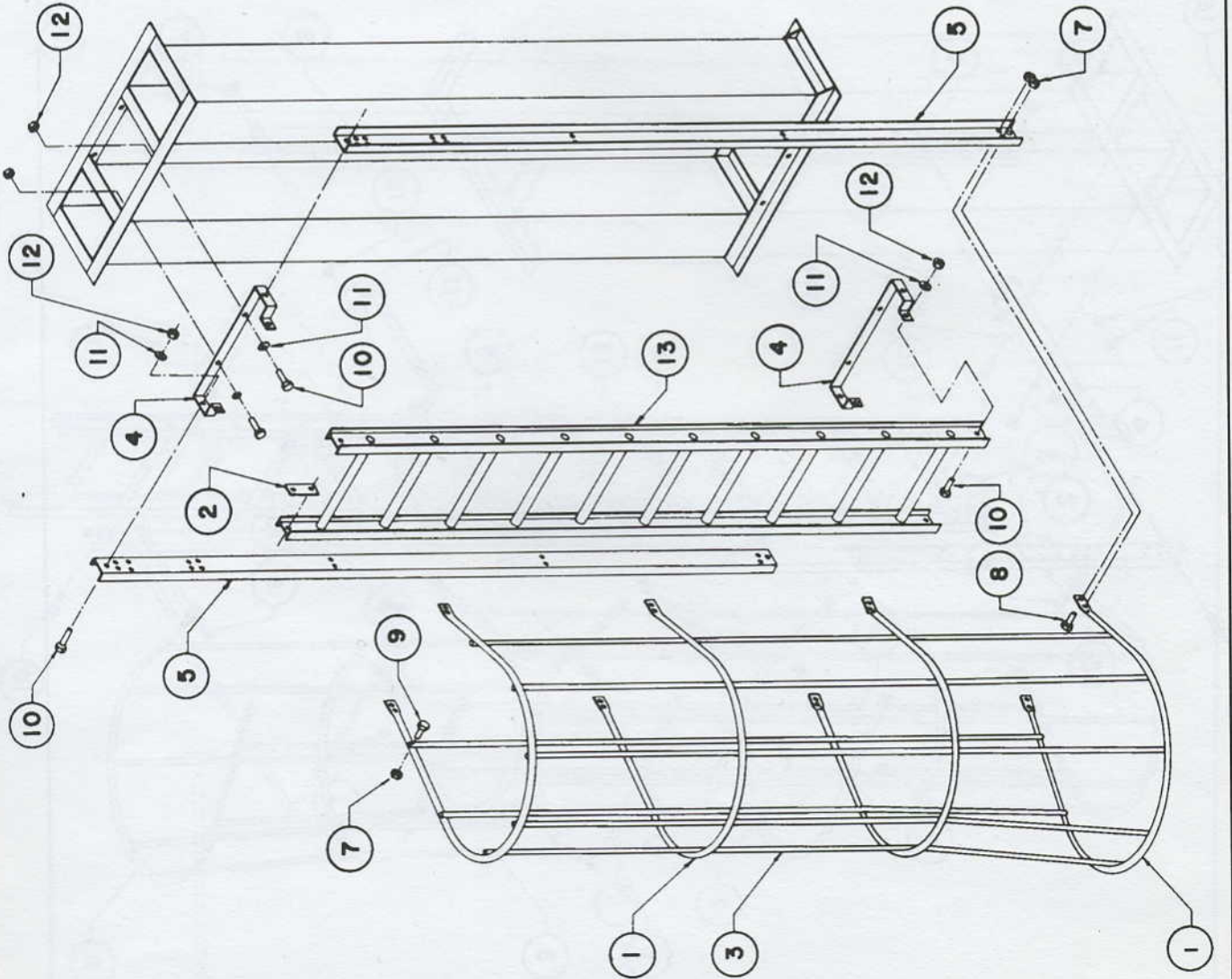
18-JAN-78

276061

BILL OF MATERIAL

ITEM	QTY	PART NUMBER	DESCRIPTION
13	1	451548	LADDER, 10' SECTION
12	12	400542	NUT, HEX 3/8-16, NYLON LOCK
11	12	400522	WASHER, FLAT 3/8
10	12	400082	BOLT, HEX HEAD 3/8-16 X 1
9	28	400045	BOLT, HEX HEAD 5/16-18 X 1 1/2
8	16	400042	BOLT, HEX HEAD 5/16-18 X 3/4
7	44	400541	NUT, HEX 5/16 X 18, NYLON LOCK
6			
5	2	276095	CHANNEL, RING MOUNTING
4	2	G275407	BRACKET, LADDER
3	7	276089	CONNECTOR, RING 1 1/4 3/4
2	2	275408	PLATE, SPLICE
1	4	R276093	RING, STANDARD

10'-0" LADDER ASSY. 275901
 10'-0" CAGE ASSY. STANDARD 275971



LAST PLOT: 14 FEB 78 D81 W.O.#

THIS DRAWING AND THE INFORMATION CONTAINED HEREON IS AND SHALL REMAIN THE PROPERTY OF SPECTRA INC. AND SHALL NOT BE USED OR REPRODUCED WITHOUT PERMISSION.

Spectra MANUFACTURING CO. AUTOCAD R13
 2000 E. LEFFEL LANE SPRINGFIELD, OHIO

212 DW # 177 A FOR: 10' LADDER, APOLLO - ACE
 1174 C.S. 4/198 B

DATE: 02/14/78
 DRAWN BY: C. VOGEL
 CHECKED BY: [blank]
 14-FEB-78

276064

