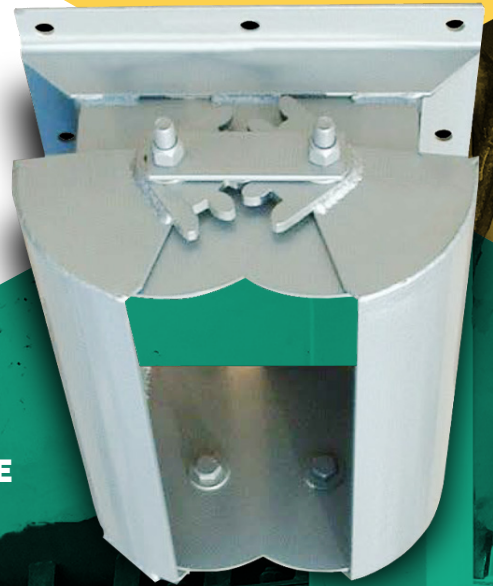


BIN GATES



**SIMPLEX
BIN GATE**



**DUPLEX
BIN GATE**



**DUPLEX BIN GATE
WITH OPTIONAL PNEUMATIC AIR GATES**

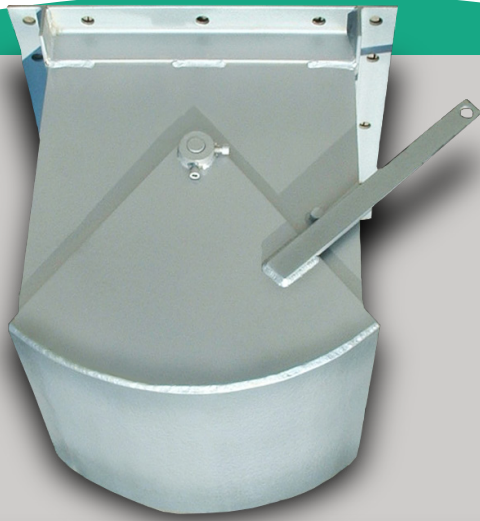
Multi-Purpose Easy Installation

Available in simplex or duplex models

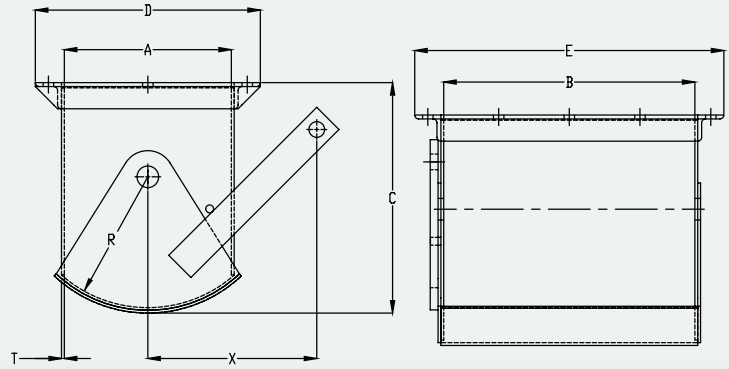
Easily attaches to hoppers, bins, and chutes

Welded heavy gauge plate steel construction

Pneumatic cylinders readily adapted for power



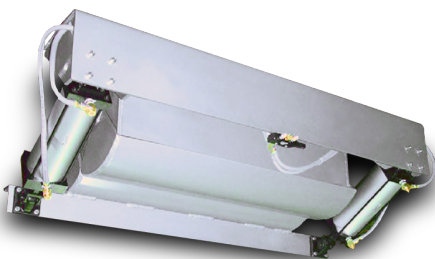
SIMPLEX BIN GATE



A	B	C	D	E	R	T	X
6"	6"	8.5"	8.75"	8.75"	5.25"	0.1345"	6.625"
7"	7"	9"	9.75"	9.75"	5.5"	0.1345"	6.75"
8"	8"	11"	10.75"	10.75"	6.5"	0.1345"	8"
12"	12"	16"	17.375"	17.375"	10.3125"	0.1875"	13.25"
12"	16"	16"	17.375"	21.375"	10.3125"	0.1875"	13.25"
12"	20"	16"	17.375"	25.375"	10.3125"	0.1875"	13.25"
14"	14"	18.5"	19.5"	19.5"	12"	0.25"	13.25"
16"	16"	21"	21.5"	21.5"	15"	0.25"	13.25"
18"	18"	24.25"	23.5"	23.5"	14.75"	0.25"	13.25"
18"	24"	24.25"	23.5"	29.5"	14.75"	0.25"	13.25"
20"	20"	26.175"	25.75"	25.75"	17.875"	0.375"	13.25"

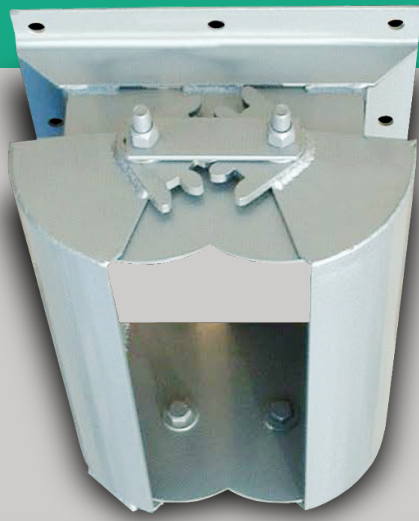
Note: Dimensions are for reference only and are subject to change.

Sweet® Bin Gates are sturdy, reliable, and available in various sizes. They are constructed with heavy gauge plate steel and angle reinforcements. The gate doors operate easily and are replaceable. With two coats of industrial enamel paint, they are long-lasting. Our bin gates can be adapted for power operation using pneumatic cylinders. Choose between stainless steel or abrasion-resistant steel construction. Sweet® Bin Gates are versatile to handle a variety of aggregates and other materials and may be used to load vessels and trucks with ease.

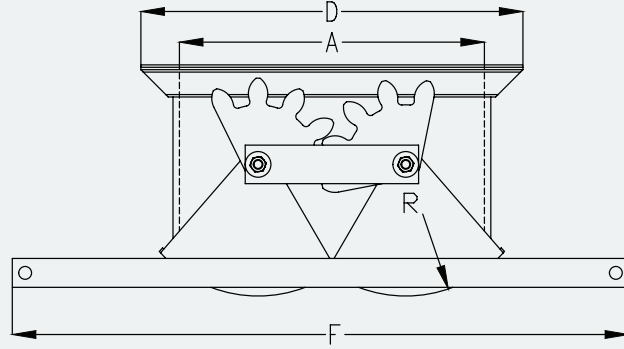


The Pneumatic Air Gates option is also available for the Duplex Clamshell Bin Gate.

Bronze Bushings are an available option. They are installed at the pivot points providing extended durability and equipment lifespan.



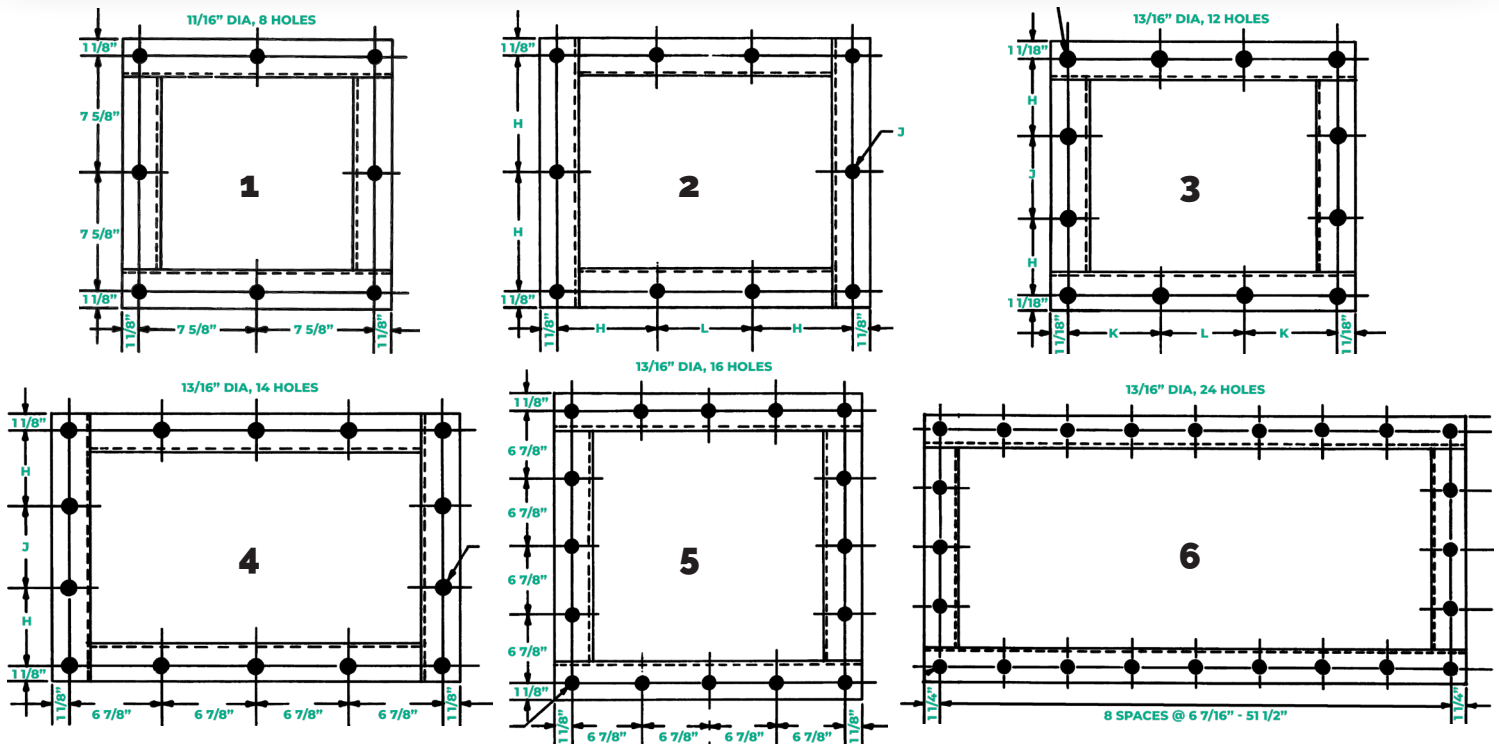
DUPLEX BIN GATE



*Both gates open and close simultaneously upon operation.

A	B	C	D	E	F	G	H	J	R	K	L	Bolt Pattern
12"	12"	11.5"	17.5"	17.5"	36"	0.25"	-	-	5.5"	-	-	1
12"	16"	11.5"	21.5"	21.5"	36"	0.25"	7.625"	0.6875"	5.5"	6.5"	6.25"	2
12"	18"	11.5"	13.5"	23.5"	36"	0.25"	7.625"	0.6875"	5.5"	7.125"	7"	2
14"	14"	13.25"	19.75"	19.75"	38"	0.375"	6"	5.5"	6.5"	6"	5.5"	3
14"	18"	13.25"	23.75"	23.75"	38"	0.375"	7.25"	7"	6.5"	6"	5.5"	3
15"	15"	14.25"	20.75"	20.75"	39"	0.375"	6"	6.5"	6.5"	6"	6.5"	3
15"	20"	14.25"	20.75"	25.75"	39"	0.375"	8"	7.5"	6.5"	6"	6.5"	3
15"	24"	14.25"	20.75"	29.75"	39"	0.375"	6"	6.5"	6.5"	-	-	4
16"	16"	14.75"	21.75"	21.75"	40"	0.375"	6.5"	7.5"	7.75"	6.5"	6.5"	3
16"	20"	14.75"	21.75"	25.75"	40"	0.375"	8"	7.5"	7.75"	6.5"	6.5"	3
18"	12"	15.25"	23.75"	17.75"	42"	0.375"	7.75"	0.8125"	8.5"	7.25"	7"	2
18"	18"	15.25"	23.75"	23.75"	42"	0.375"	7.25"	7"	8.5"	7.25"	7"	3
18"	24"	15.25"	23.75"	29.75"	42"	0.375"	7.25"	7"	8.5"	-	-	4
20"	20"	17"	25.75"	25.75"	44"	0.375"	8"	7.5"	9"	8"	7.5"	3
24"	24"	18.5"	29.75"	29.75"	48"	0.375"	-	-	10.25"	-	-	5
24"	48"	18.5"	29.75"	53.75"	48"	0.5"	-	-	10.25"	-	-	6

"B" length can be changed upon request. Contact Sales for price and availability | Note: Dimensions are for reference only and are subject to change.





2000 East Leffel Lane
Springfield, Ohio, 45505, USA

(937) 325-1511

sweetmfg.com

MADE IN AMERICA

ONE OF THE COUNTLESS REASONS WHY IT'S SWEET[®].

An extraordinary customer experience.

Innovative product solutions constructed using G140 U.S. prime galvanized steel and premium components.

