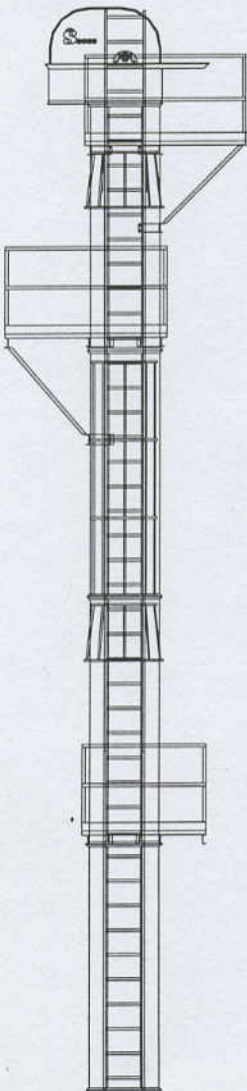


I276060



MANUFACTURING COMPANY

LADDER AND CAGE ASSEMBLY



NOTES:

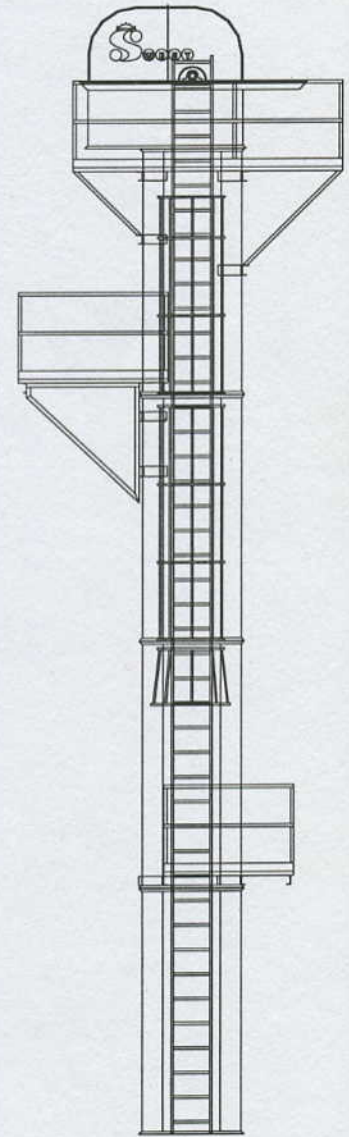
LADDERS PASSING THROUGH HEAD AND INTERMEDIATE PLATFORMS SHOULD BE 13 FEET IN LENGTH.

DISTRIBUTOR AND INTERMEDIATE PLATFORMS SHOULD BE MOUNTED ABOVE LEG FLANGE.

ALL ELEVATORS REQUIRE 275967, 10' CAGE FOR UNDER HEAD PLATFORM WHEN USING A DISTRIBUTOR PLATFORM EXCEPT: ATOM, APOLLO, BANTAM II, CANE, DART AND EXPO.

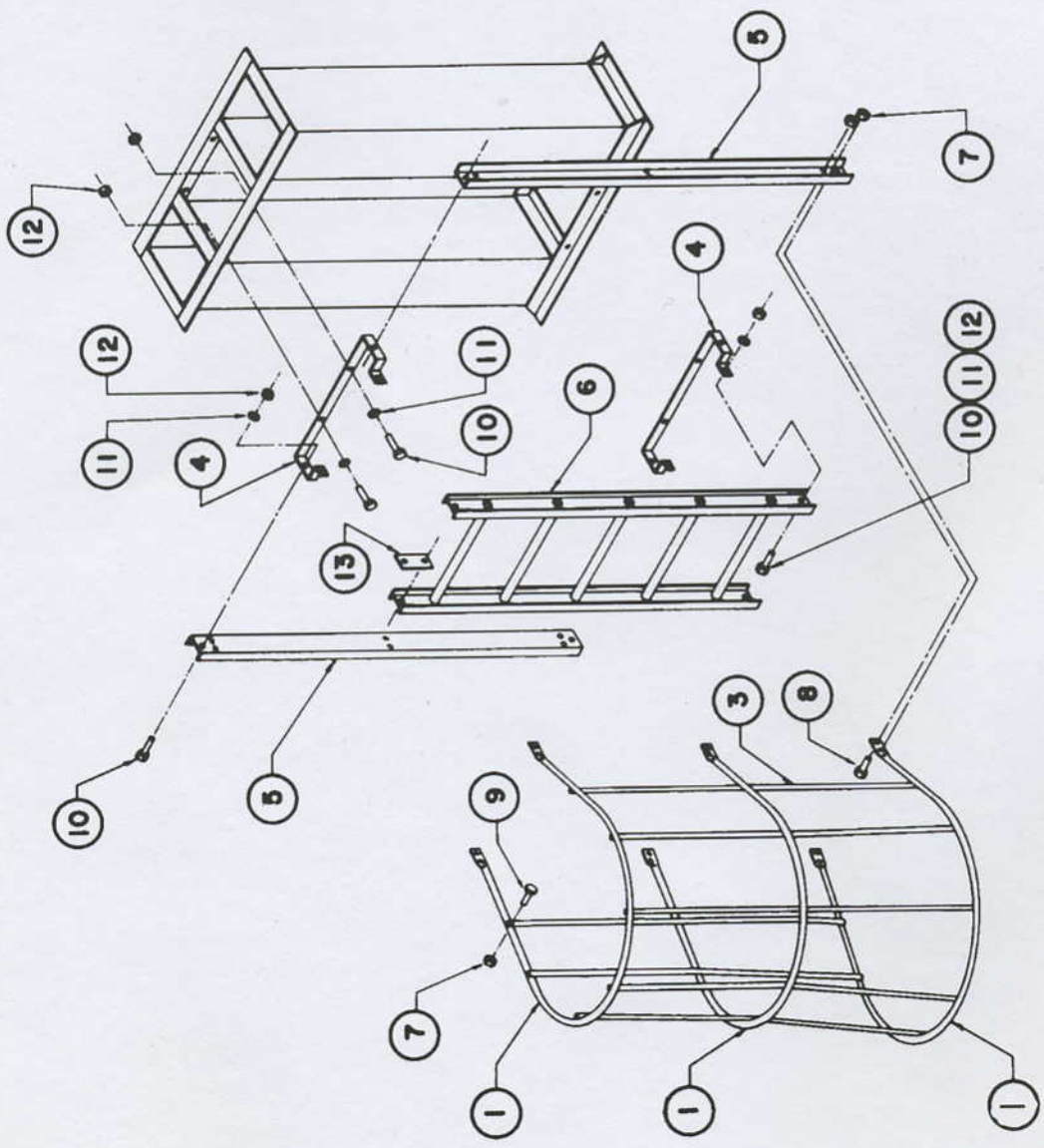
DEPENDING ON LOCATION OF SERVICE DOOR AND ODD SECTION OF TRUNKING, USE CORRECT CAGE SO THAT SIDE CHANNELS EXTEND THE FULL DISTANCE BETWEEN LEG FRAMES.

NOT ALL POSSIBLE LADDER AND CAGE COMBINATIONS ARE ILLUSTRATED.



BILL OF MATERIAL

ITEM	QTY	PART NUMBER	DESCRIPTION
13	2	275408	PLATE, SPLICE
12	12	400542	NUT, HEX 3/8-16, NYLON LOCK
11	12	400522	WASHER, FLAT 3/8
10	12	400082	BOLT, HEX HEAD 3/8-16 X 1
9	21	400045	BOLT, HEX HEAD 5/16-18 X 1 1/2
8	12	400042	BOLT, HEX HEAD 5/16-18 X 3/4
7	33	400541	NUT, HEX 5/16 X 18, NYLON LOCK
6	1	451547	LADDER 5 FOOT SECTION
5	2	276096	CHANNEL, RING MOUNTING
4	2	G276013	BRACKET, LADDER
3	7	276091	CONNECTOR, RING 54 3/4
2			
1	3	R276093	RING, STANDARD



5'-0" LADDER ASSEMBLY 275898
 5'-0" CAGE ASSEMBLY STANDARD 275970

LAST PLOT: 18 JAN 78 DBI W.O.#

THIS DRAWING AND THE INFORMATION CONTAINED HEREIN IS AND SHALL REMAIN THE PROPERTY OF SWEET MFG. CO. AND CANNOT BE USED OR REPRODUCED WITHOUT PERMISSION.

Sweet's MANUFACTURING CO. AUTOCAD R13
 2000 E. LEFFEL LANE SPRINGFIELD, OHIO

INSTALLATION INSTRUCTIONS, LADDER & CAGE
 FOR: 5' LADDER, ATOM

DATE	BY	CHKD	DATE
2/12/88	A		
1/14/88	B		

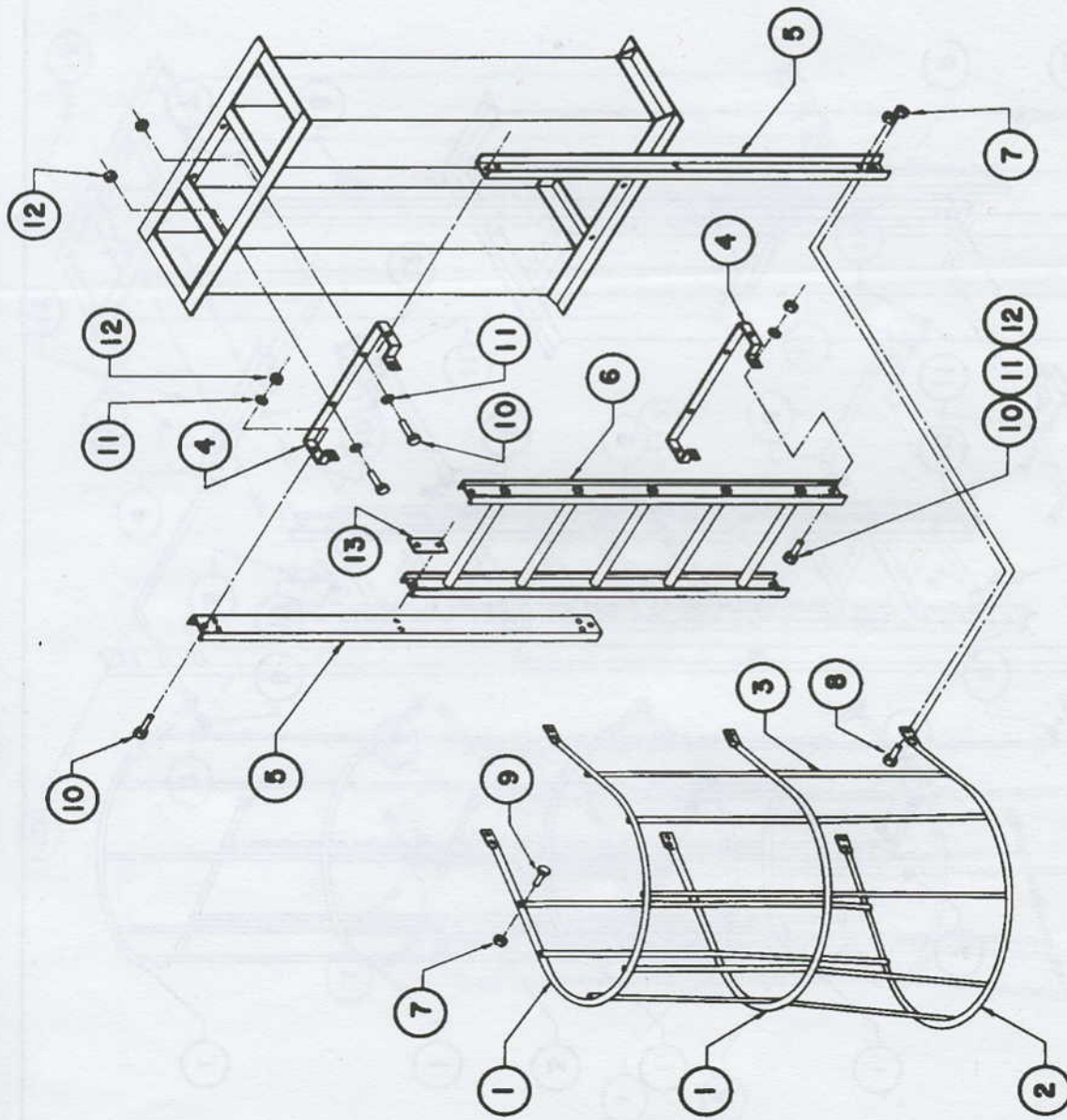
ORDER # 18-JAN-78 WEIGHT 276066

UNLESS OTHERWISE SPECIFIED, ALL DIMENSIONS SHALL BE: ANGULAR ±1/2° FINISH ±.015

DESIGNED BY C. VOGEL
 DRAWN BY 18-JAN-78

BILL OF MATERIAL

ITEM	QTY	PART NUMBER	DESCRIPTION
13	2	275408	PLATE, SPLICE
12	12	400542	NUT, HEX 3/8-16, NYLON LOCK
11	12	400522	WASHER, FLAT 3/8
10	12	400082	BOLT, HEX HEAD 5/16-18 X 1 1/2
9	21	400045	BOLT, HEX HEAD 5/16-18 X 3/4
8	12	400042	NUT, HEX 5/16 X 18, NYLON LOCK
7	33	400541	LADDER 5 FOOT SECTION
6	1	451547	CHANNEL, RING MOUNTING
5	2	276096	BRACKET, LADDER
4	2	G276013	CONNECTOR, RING 54 3/4
3	7	276091	RING, ENTRANCE
2	1	R276094	RING, STANDARD
1	2	R276093	RING, STANDARD



5'-0" LADDER ASSEMBLY 275898
 5'-0" CAGE ASSEMBLY WITH ENTRANCE 275968

LAST PLOT: 18 JAN 78 DBI W.O.#

THIS DRAWING AND THE INFORMATION CONTAINED HEREON IS AND SHALL REMAIN THE PROPERTY OF WEST MGT. CO. AND CANNOT BE USED OR REPRODUCED WITHOUT PERMISSION.

2000 E. LEFFEL LANE SPRINGFIELD, OHIO

Autocad R13

MANUFACTURING CO. INSTALLATION INSTRUCTIONS, LADDER & CAGE FOR: 5' LADDER, ATOM

212 DW / 118 A NATIONAL

1/24 CS 3/80 B

DATE: 18-JAN-78

SCALE: 1" = 1'-0"

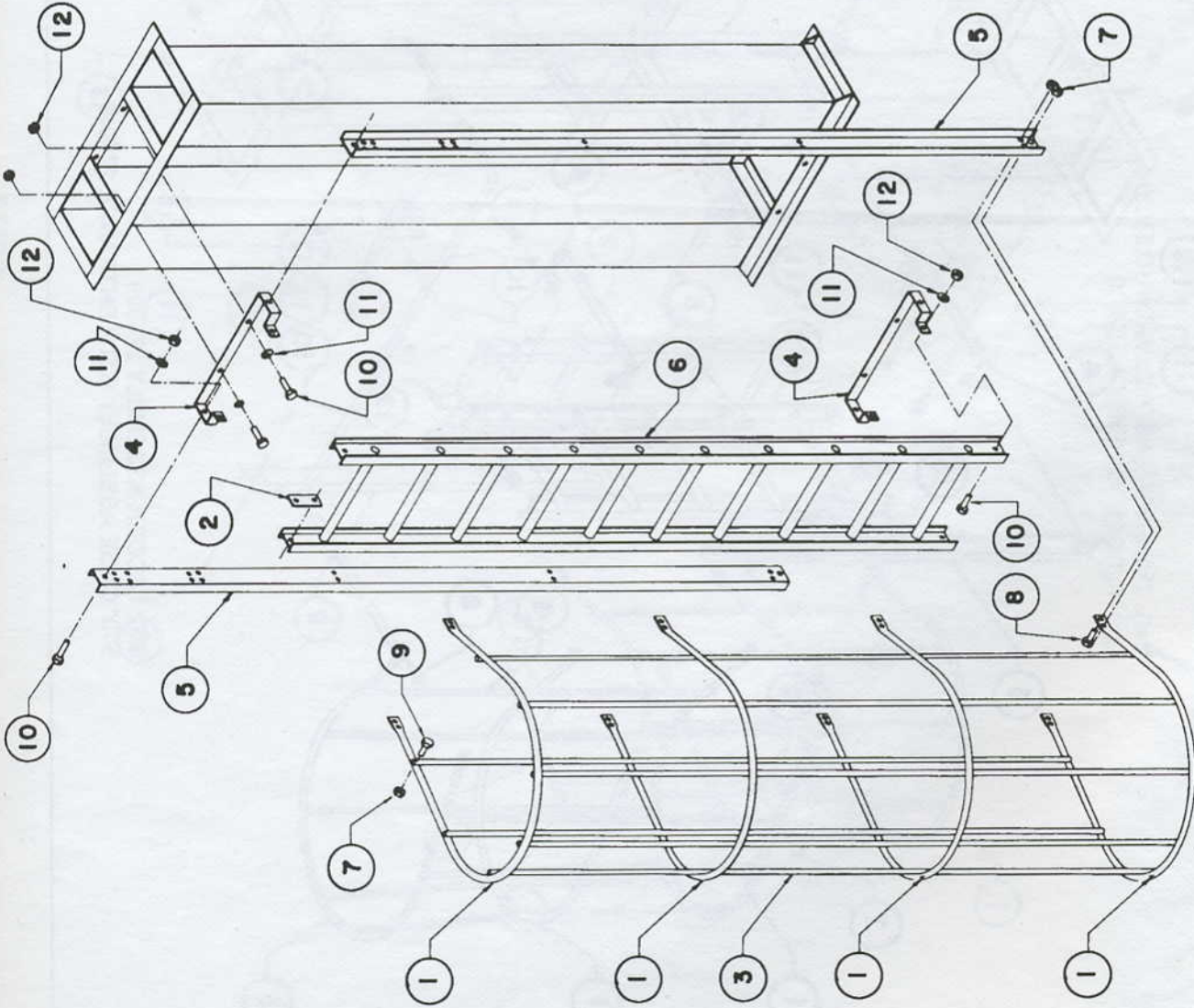
DATE: 18-DEC-80

276065

BILL OF MATERIAL

ITEM	QTY	PART NUMBER	DESCRIPTION
12	12	400542	NUT, HEX 3/8-16, NYLON LOCK
11	12	400522	WASHER, FLAT 3/8
10	12	400082	BOLT, HEX HEAD 3/8-16 X 1
9	28	400045	BOLT, HEX HEAD 5/16-18 X 1 1/2
8	16	400042	BOLT, HEX HEAD 5/16-18 X 3/4
7	44	400541	NUT, HEX 5/16 X 18, NYLON LOCK
6	1	451548	LADDER 10 FOOT SECTION
5	2	276095	CHANNEL, RING MOUNTING
4	2	G276013	BRACKET, LADDER
3	7	276089	CONNECTOR, RING 114 3/4
2	2	275408	PLATE, SPLICE
1	4	R276093	RING, STANDARD

10'-0" LADDER ASSY. 275899
 10'-0" CAGE ASSY. STANDARD 275971



LAST PLOT: 5/13/87

DBI W.O.#

THIS DRAWING AND THE INFORMATION CONTAINED HEREON
 IS UNCLASSIFIED EXCEPT WHERE SHOWN OTHERWISE
 AND CANNOT BE USED OR REPRODUCED WITHOUT PERMISSION.

S
 MANUFACTURING CO.

2000 E. LEFFEL LANE
 SPRINGFIELD, OHIO

INSTALLATION INSTRUCTIONS, LADDER & CAGE
 FOR: 10' LADDER, ATOM

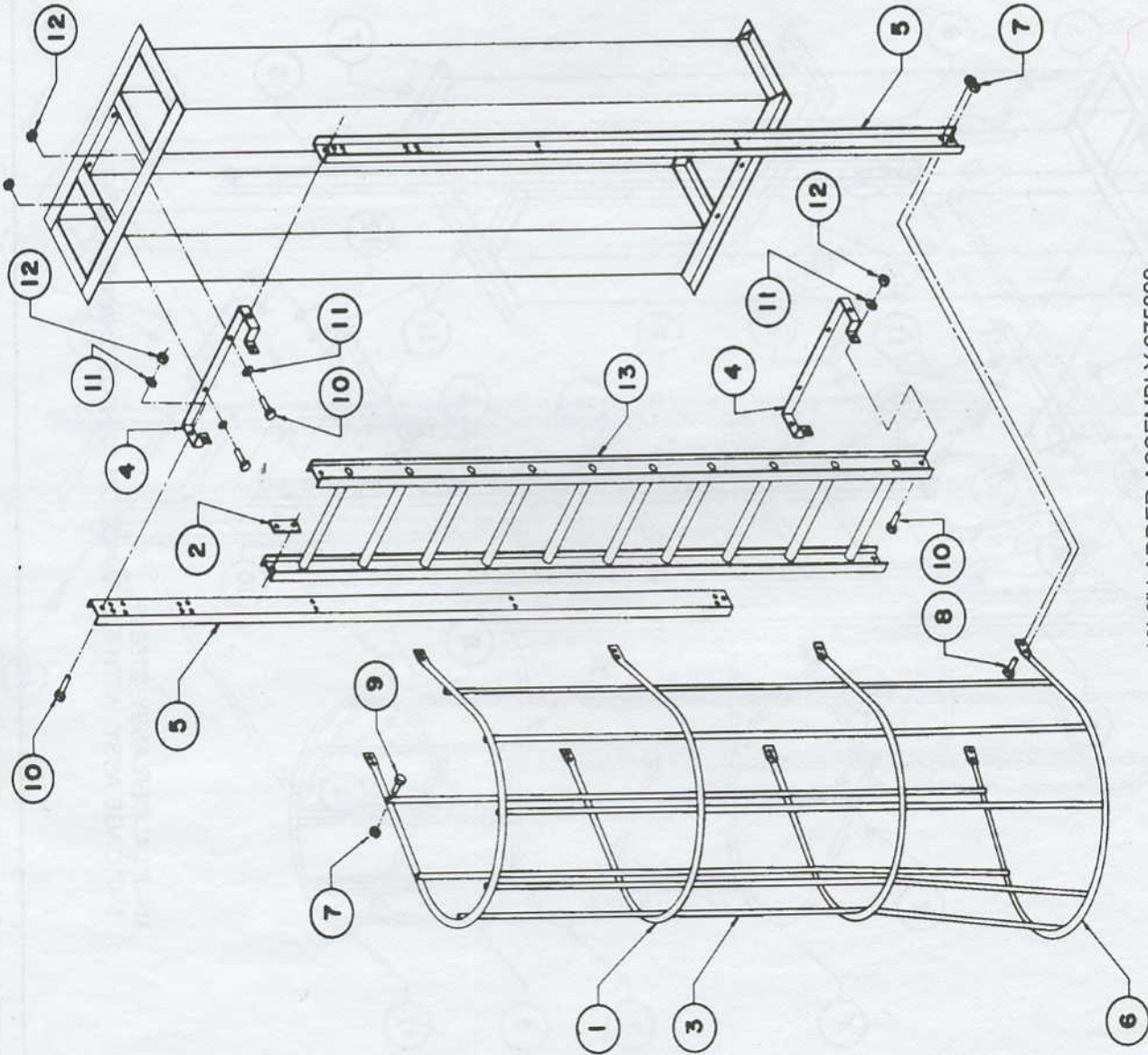
DATE: 11/81
 DRAWN BY: A
 CHECKED BY: B

SCALE: 1/4" = 1'-0"
 SHEET NO.: 17
 DATE: 11-81

BY: C. VOGEL
 DATE: 11-81
 276068

BILL OF MATERIAL

ITEM	QTY	PART NUMBER	DESCRIPTION
13	1	451548	LADDER, 10' SECTION
12	12	400542	NUT, HEX 3/8-16, NYLON LOCK
11	12	400522	WASHER, FLAT 3/8
10	12	400082	BOLT, HEX HEAD 3/8-16 X 1
9	28	400045	BOLT, HEX HEAD 5/16-18 X 1 1/2
8	16	400042	BOLT, HEX HEAD 5/16-18 X 3/4
7	44	400541	NUT, HEX 5/16 X 18, NYLON LOCK
6	1	R276094	RING, ENTRANCE
5	2	276095	CHANNEL, RING MOUNTING
4	2	G276013	BRACKET, LADDER
3	7	276089	CONNECTOR, RING 114 3/4
2	2	275408	PLATE, SPLICE
1	3	R276093	RING, STANDARD



10'-0" LADDER ASSEMBLY 275899
 10'-0" CAGE, ASSEMBLY, WITH ENTRANCE 275969

LAST PLOT: 14 FEB 78 DBI W.O.#

THIS DRAWING AND THE INFORMATION CONTAINED HEREON IS UNCLASSIFIED EXCEPT WHERE SHOWN OTHERWISE AND CANNOT BE USED OR REPRODUCED WITHOUT PERMISSION.

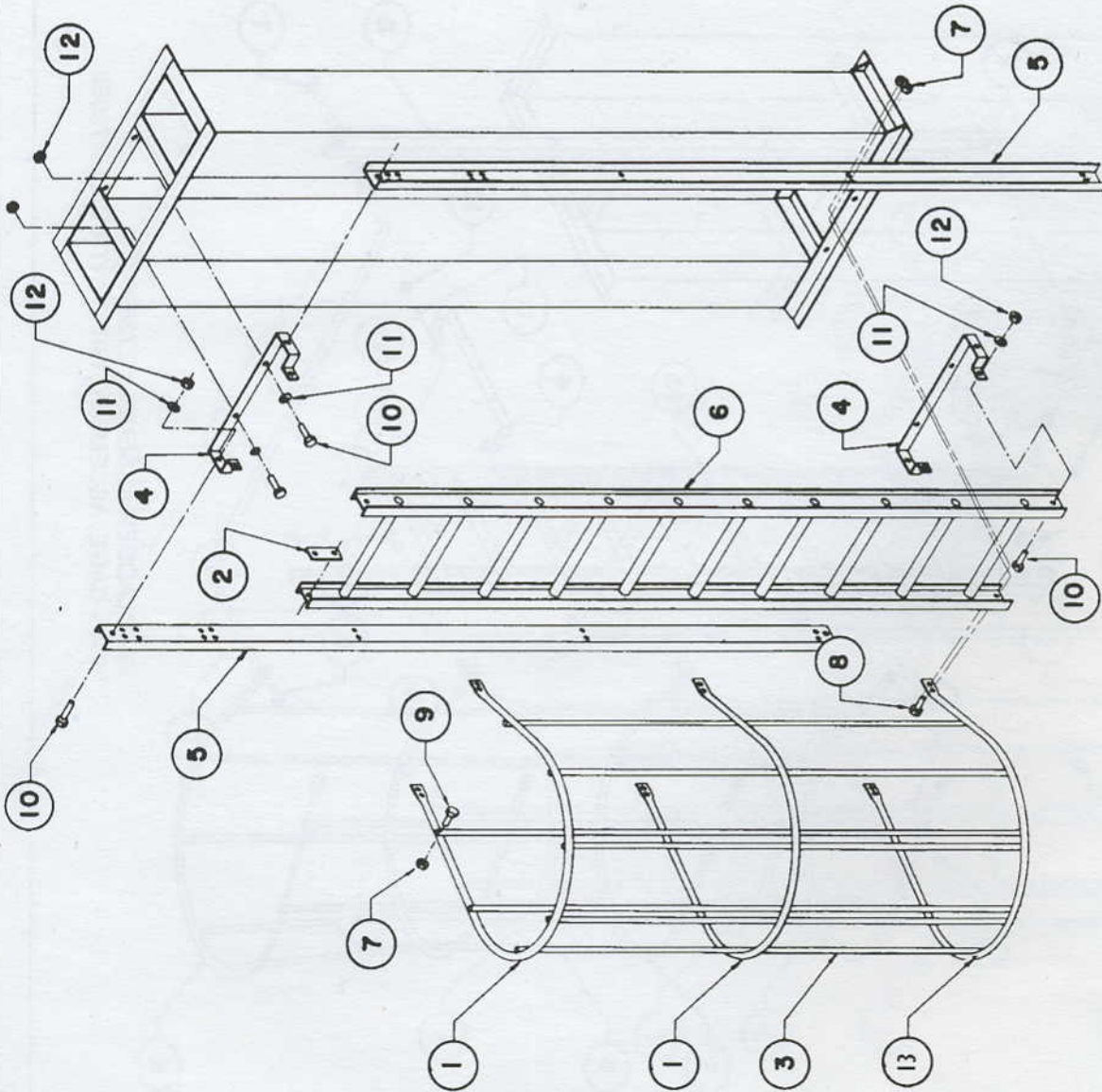
S 2000 E. LEFFEL LANE SPRINGFIELD, OHIO
 MANUFACTURING CO. AUTOCAD R13

INSTALLATION INSTRUCTIONS, LADDER & CAGE
 FOR: 10' LADDER, ATOM

DATE: 1/14/78
 DRAWN BY: J. VOGL
 CHECKED BY: J. VOGL
 SCALE: AS SHOWN
 SHEET NO.: 14-FEB-78
 DRAWING NO.: 276067

BILL OF MATERIAL

ITEM	QTY	PART NUMBER	DESCRIPTION
13	1	R276094	RING, ENTRANCE
12	12	400542	NUT, HEX 3/8-16, NYLON LOCK
11	12	400522	WASHER, FLAT 3/8
10	12	400082	BOLT, HEX HEAD 3/8-16 X 1
9	21	400045	BOLT, HEX HEAD 5/16-18 X 1 1/2
8	16	400042	BOLT, HEX HEAD 5/16-18 X 3/4
7	37	400541	NUT, HEX 5/16 X 18, NYLON LOCK
6	1	451548	LADDER 10 FOOT SECTION
5	2	276095	CHANNEL, RING MOUNTING
4	2	G276013	BRACKET, LADDER
3	7	276091	CONNECTOR, RING 54 3/4
2	2	275408	PLATE, SPLICE
1	2	R276093	RING, STANDARD



10'-0" LADDER ASSY. 275899
 5'-0" CAGE ASSY. WITH ENTRANCE ON 10 FOOT CHANNEL 275965

LAST PLOT: 5\13\87

DBI

W.O.#

THIS DRAWING AND THE INFORMATION CONTAINED HEREON
 IS UNCLASSIFIED EXCEPT WHERE SHOWN OTHERWISE
 AND CANNOT BE USED OR REPRODUCED WITHOUT PERMISSION.



2000 E. LEFFEL LANE
 SPRINGFIELD, OHIO

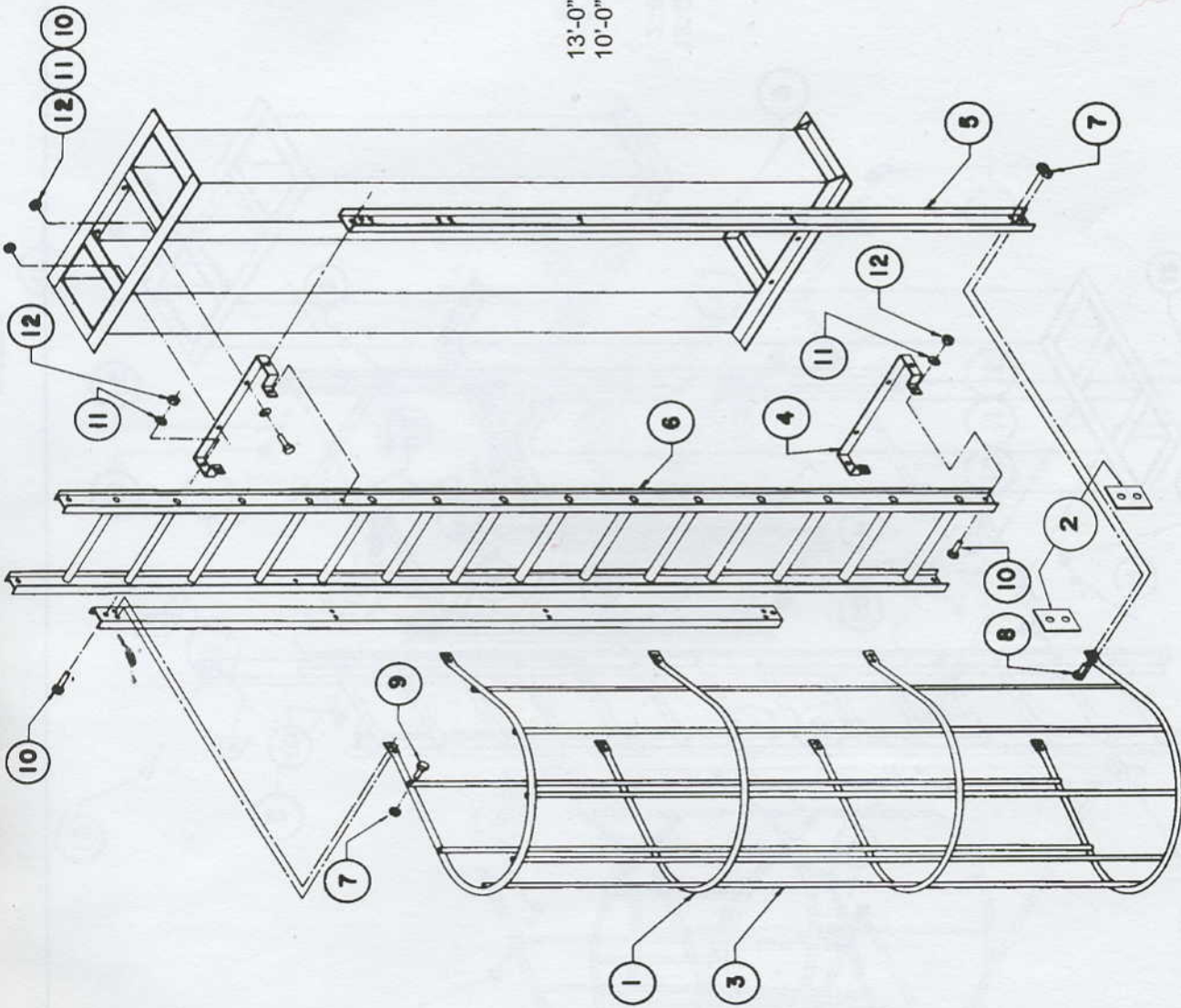
INSTALLATION INSTRUCTIONS, LADDER & CAGE
 FOR: 10' LADDER, ATOM

DATE	REV	BY	CHKD	APP'D	DESCRIPTION
2/21/87	1	A			FOR: 10' LADDER, ATOM
11/24/85	5/10/87	B			REVISION
DESIGNER	SCALE	DRAWING NO.	QUANTITY	UNIT PRICE	TOTAL
C. VOGEL					
14-FEB-78					276078

BILL OF MATERIAL

ITEM	QTY	PART NUMBER	DESCRIPTION
12	12	400542	NUT, HEX 3/8-16, NYLON LOCK
11	12	400522	WASHER, FLAT 3/8
10	12	400082	BOLT, HEX HEAD 3/8-16 X 1
9	28	400045	BOLT, HEX HEAD 5/16-18 X 1 1/2
8	16	400042	BOLT, HEX HEAD 5/16-18 X 3/4
7	44	400541	NUT, HEX 5/16 X 18, NYLON LOCK
6	1	451550	LADDER 13 FOOT SECTION
5	2	276095	CHANNEL, RING MOUNTING
4	2	G276013	BRACKET, LADDER
3	7	276090	CONNECTOR, RING 102 1/4
2	2	275408	PLATE, SPLICE
1	4	R276093	RING, STANDARD

13'-0" LADDER ASSEMBLY 276105
 10'-0" UNDER PLATFORM CAGE ASSY. 275967



LAST PLOT: 5/13/87 DBI W.O.#

THIS DRAWING AND THE INFORMATION CONTAINED HEREON ARE THE PROPERTY OF DBI INDUSTRIES, INC. AND SHALL NOT BE REPRODUCED WITHOUT PERMISSION.

3000 E. LEFTEL LANE
 SPRINGFIELD, OHIO

AutoCAD R13
 SPRINGFIELD, OHIO

MANUFACTURING CO. INSTALLATION INSTRUCTIONS, LADDER & CAGE UNDER PLATFORM

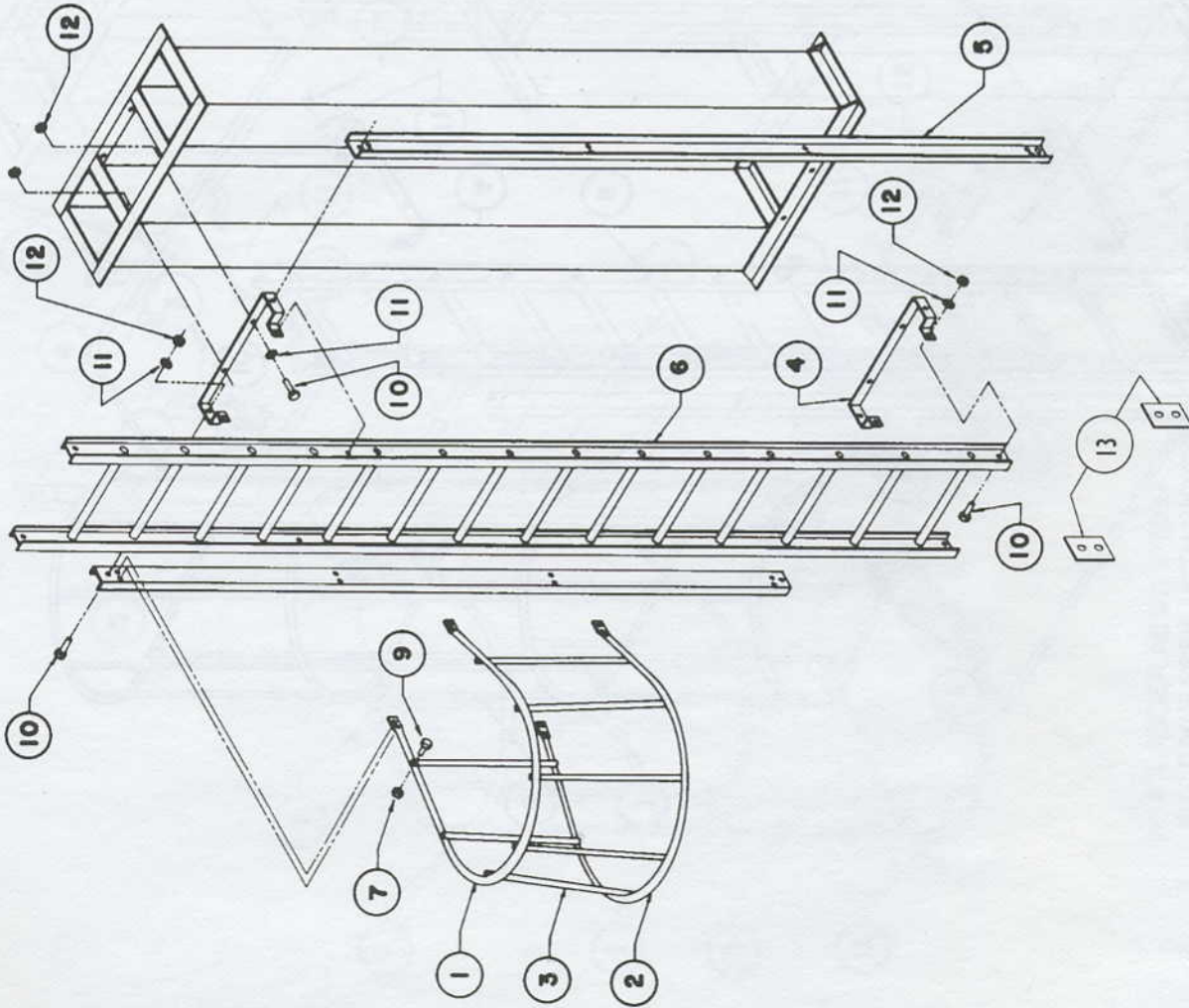
212 DW 1/8# A FOR: 13' LADDER, ATOM
 174 C.S. 3/16# B

SCALE: 1" = 1'-0" (AS SHOWN)
 DATE: 1/17/87
 DRAWN BY: C. VOGEL
 CHECKED BY: []
 14-FEB-78 276073

BILL OF MATERIAL

ITEM	QTY	PART NUMBER	DESCRIPTION
13	2	275408	PLATE, SPLICE
12	12	400542	NUT, HEX 3/8-16, NYLON LOCK
11	12	400522	WASHER, FLAT 3/8
10	12	400082	BOLT, HEX HEAD 3/8-16 X 1
9	14	400045	BOLT, HEX HEAD 5/16-18 X 1 1/2
8	8	400042	BOLT, HEX HEAD 5/16-18 X 3/4
7	22	400541	NUT, HEX 5/16 X 18, NYLON LOCK
6	1	451550	LADDER 13 FOOT SECTION
5	2	276095	CHANNEL, RING MOUNTING
4	2	276013	BRACKET, LADDER
3	7	276092	CONNECTOR, RING 26 1/4
2	1	R276094	RING, ENTRANCE
1	1	R276093	RING, STANDARD

13'-0" LADDER ASSEMBLY 276105
 2'-0" CAGE ASSY. WITH ENTRANCE 275967



LAST PLOT: 18 JAN 78 DBI W.O.#

THIS DRAWING AND THE INFORMATION CONTAINED HEREON IS THE PROPERTY OF SOUTHWEST AIRCRAFT MFG. CO. AND CANNOT BE LOANED OR REPRODUCED WITHOUT PERMISSION.

S SOUTHWEST AIRCRAFT MANUFACTURING CO. 2000 E. LEFFEL LANE SPRINGFIELD, OHIO

INSTALLATION INSTRUCTIONS, LADDER & CAGE
 FOR: 13' LADDER, ATOM

DATE: 05/81
 DRAWN BY: C. VOGEL
 CHECKED BY: C. VOGEL
 DATE: 18-JAN-78

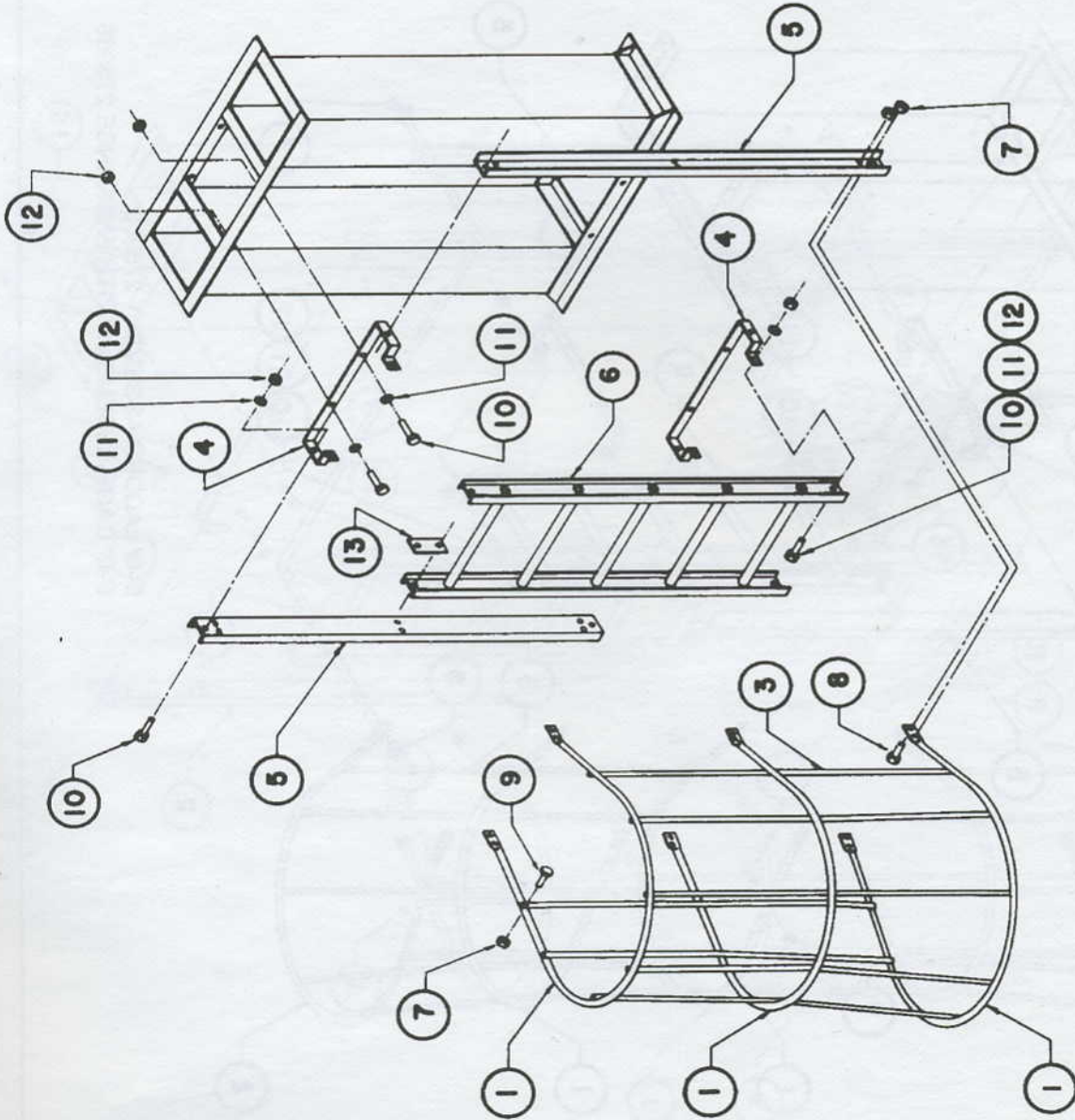
UNLESS OTHERWISE SPECIFIED, ALL DIMENSIONS SHALL BE IN INCHES AND DECIMALS THEREOF.

276074

BILL OF MATERIAL

ITEM	QTY	PART NUMBER	DESCRIPTION
13	2	275408	PLATE, SPLICE
12	12	400542	NUT, HEX 3/8-16, NYLON LOCK
11	12	400522	WASHER, FLAT 3/8
10	12	400082	BOLT, HEX HEAD 3/8-16 X 1
9	21	400045	BOLT, HEX HEAD 5/16-18 X 1 1/2
8	12	400042	BOLT, HEX HEAD 5/16-18 X 3/4
7	33	400541	NUT, HEX 5/16 X 18, NYLON LOCK
6	1	451547	LADDER 5 FOOT SECTION
5	2	276096	CHANNEL, RING MOUNTING
4	2	G275407	BRACKET, LADDER
3	7	276091	CONNECTOR, RING 54 3/4
2	-	-	-
1	3	R276093	RING, STANDARD

5'-0" LADDER ASSEMBLY 275900
5'-0" CAGE ASSEMBLY STANDARD 275970



LAST PLOT: 18 JAN 78 DBI W.O.#

ALL RIGHTS RESERVED. THIS DOCUMENT IS THE PROPERTY OF SPOON MANUFACTURING CO. IT IS TO BE USED ONLY FOR THE PROJECT AND CANNOT BE USED OR REPRODUCED WITHOUT PERMISSION.

Spoon MANUFACTURING CO. 2000 E. LEFFEL LANE SPRINGFIELD, OHIO 45504 R13

REV. DATE CHANGE 1124 CS 2/4/77 B MATERIAL

INSTALLATION INSTRUCTIONS, LADDER & CAGE FOR: 5' LADDER, APOLLO-ACE

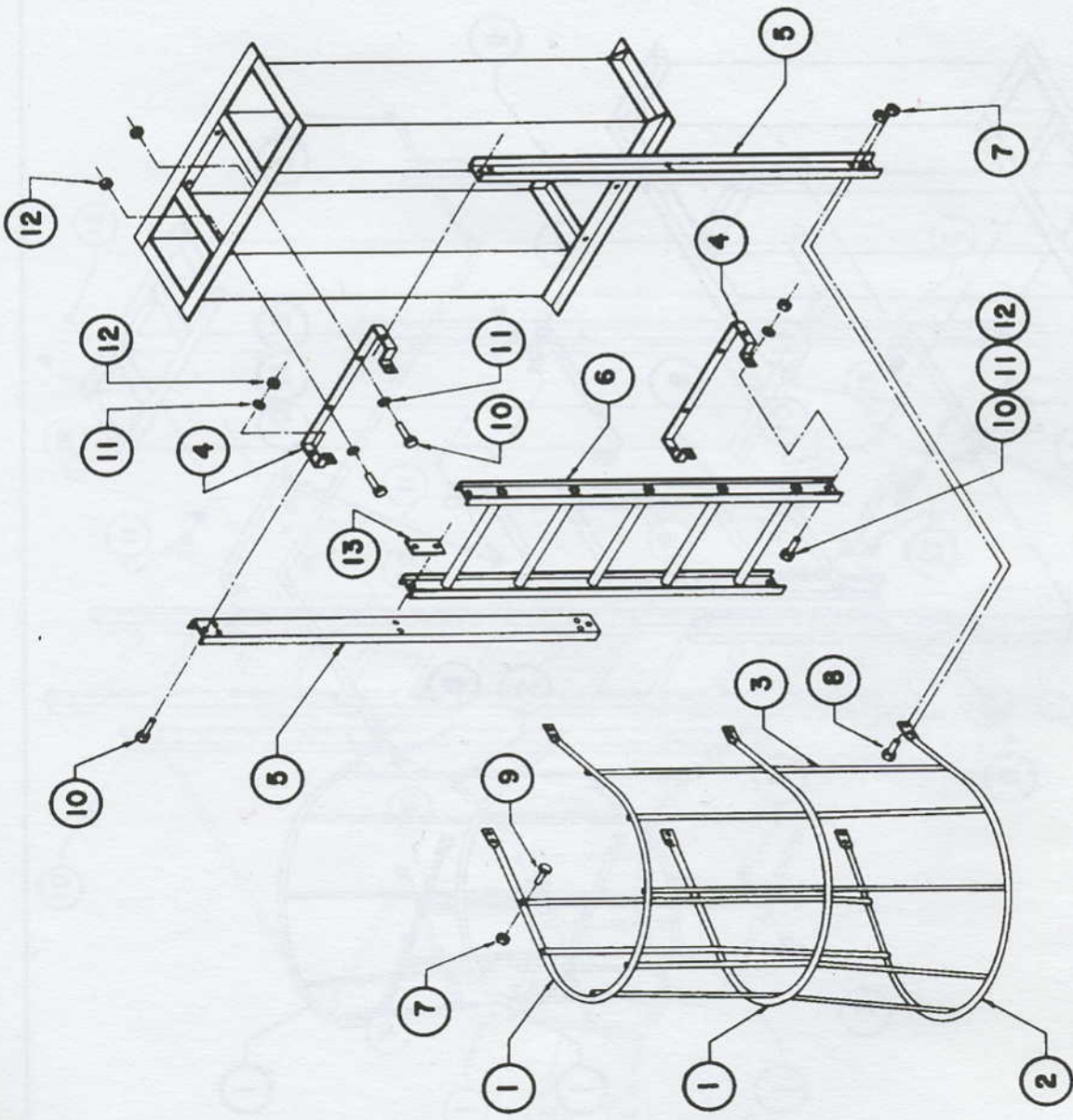
UNLESS OTHERWISE SPECIFIED, ALL DIMENSIONS SHALL BE IN INCHES. 1/2" TYPICAL

DATE: 18 JAN 78

276062

BILL OF MATERIAL

ITEM	QTY	PART NUMBER	DESCRIPTION
13	2	275408	PLATE, SPLICE
12	12	400542	NUT, HEX 3/8-16, NYLON LOCK
11	12	400522	WASHER, FLAT 3/8
10	12	400082	BOLT, HEX HEAD 3/8-16 X 1
9	21	400045	BOLT, HEX HEAD 5/16-18 X 1 1/2
8	12	400042	BOLT, HEX HEAD 5/16-18 X 3/4
7	33	400541	NUT, HEX 5/16 X 18, NYLON LOCK
6	1	451547	LADDER 5 FOOT SECTION
5	2	276096	CHANNEL, RING MOUNTING
4	2	G275407	BRACKET, LADDER
3	7	276091	CONNECTOR, RING 54 3/4
2	1	R276084	RING, ENTRANCE
1	2	R276093	RING, STANDARD



5'-0" LADDER ASSEMBLY 275900
 5'-0" CAGE ASSEMBLY WITH ENTRANCE 275968

LAST PLOT: 18 JAN 78 DBI W.O.#

THIS DRAWING AND THE INFORMATION CONTAINED HEREIN IS UNCLASSIFIED EXCEPT WHERE SHOWN OTHERWISE AND CANNOT BE USED OR REPRODUCED WITHOUT PERMISSION.

S 20000
 MANUFACTURING CO. AUTOCAD R13 SPRINGFIELD, OHIO

2000 E. LEFFEL LANE
 INSTALLATION INSTRUCTIONS, LADDER & CAGE
 FOR: 5' LADDER, APOLLO-ACE

212 (M) (M) A MATERIAL
 1124 (S) (M) B MATERIAL

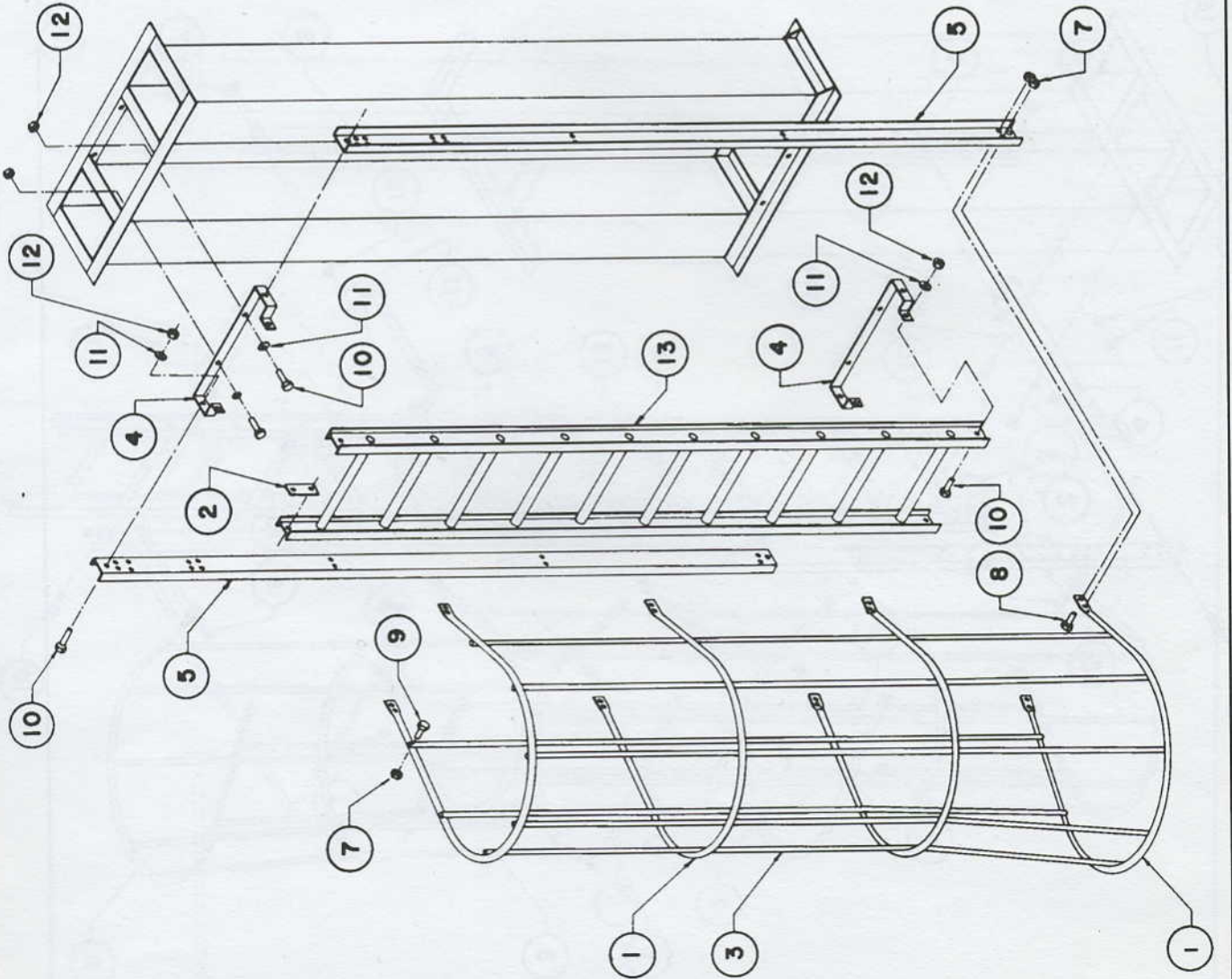
DESIGNED BY: C. VOGEL
 DRAWN BY: C. VOGEL
 CHECKED BY: C. VOGEL
 DATE: 18 JAN 78

DATE: 08/11/78
 SCALE: 1/2" = 1'-0"
 SHEET NO.: 276061

BILL OF MATERIAL

ITEM	QTY	PART NUMBER	DESCRIPTION
13	1	451548	LADDER, 10' SECTION
12	12	400542	NUT, HEX 3/8-16, NYLON LOCK
11	12	400522	WASHER, FLAT 3/8
10	12	400082	BOLT, HEX HEAD 3/8-16 X 1
9	28	400045	BOLT, HEX HEAD 5/16-18 X 1 1/2
8	16	400042	BOLT, HEX HEAD 5/16-18 X 3/4
7	44	400541	NUT, HEX 5/16 X 18, NYLON LOCK
6			
5	2	276095	CHANNEL, RING MOUNTING
4	2	G275407	BRACKET, LADDER
3	7	276089	CONNECTOR, RING 1 1/4 3/4
2	2	275408	PLATE, SPLICE
1	4	R276093	RING, STANDARD

10'-0" LADDER ASSY. 275901
 10'-0" CAGE ASSY. STANDARD 275971



LAST PLOT: 14 FEB 78 D81 W.O.#

S UNLESS OTHERWISE SPECIFIED, ALL DIMENSIONS ARE IN INCHES
 MANUFACTURING CO. AUTOCAD R13
 2000 E. LEFFEL LANE SPRINGFIELD, OHIO

212 DW # 177 A FOR: 10' LADDER, APOLLO - ACE
 1174 C.S. 4/19 B

DATE: 14 FEB 78

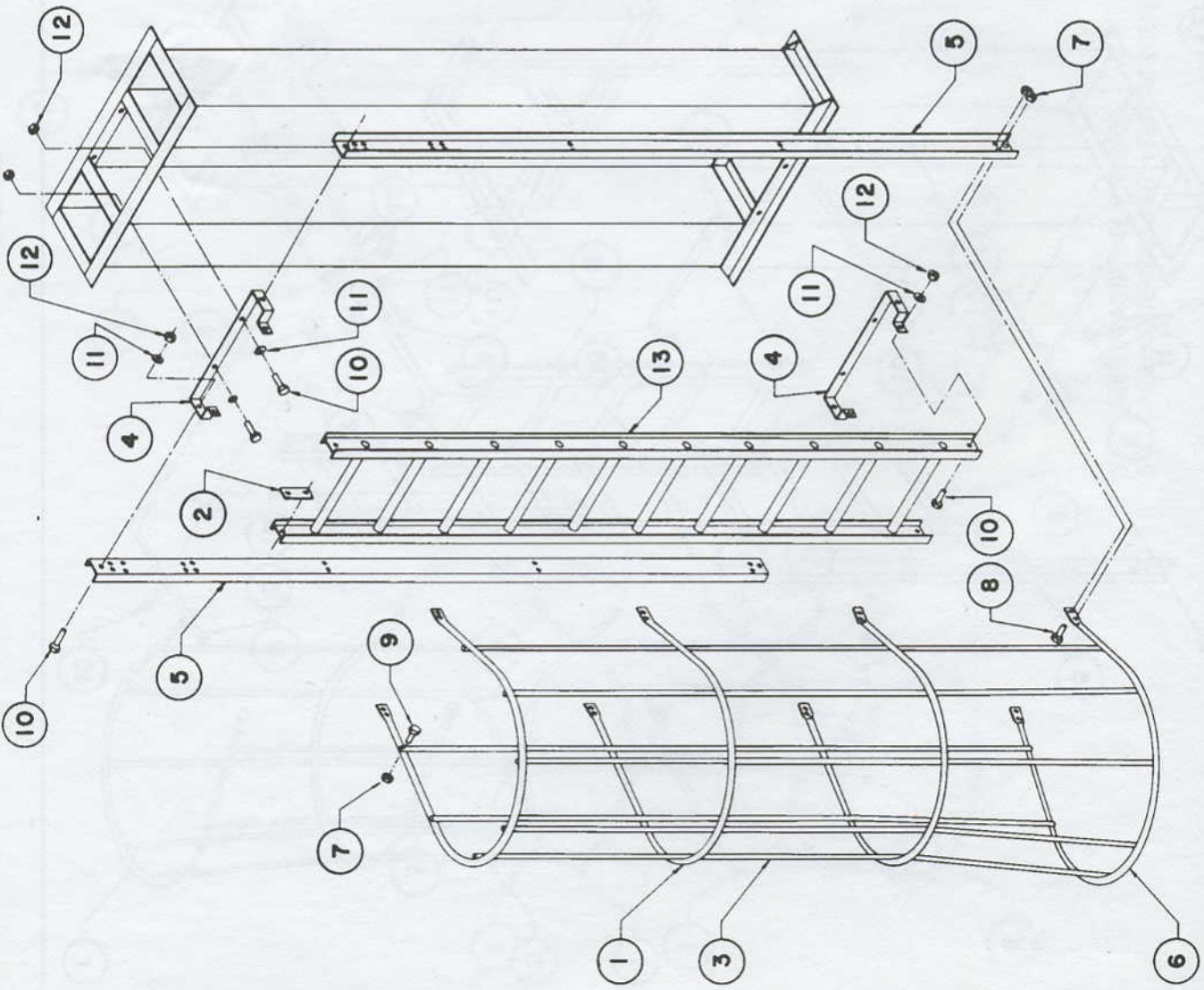
SCALE: 1" = 1'-0"

276064

BILL OF MATERIAL

ITEM	QTY	PART NUMBER	DESCRIPTION
13	1	451548	LADDER, 10' SECTION
12	12	400542	NUT, HEX 3/8-16, NYLON LOCK
11	12	400522	WASHER, FLAT 3/8
10	12	400082	BOLT, HEX HEAD 3/8-16 X 1
9	28	400045	BOLT, HEX HEAD 5/16-18 X 1 1/2
8	16	400042	BOLT, HEX HEAD 5/16-18 X 3/4
7	44	400541	NUT, HEX 5/16 X 18, NYLON LOCK
6	1	R276094	RING, ENTRANCE
5	2	276095	CHANNEL, RING MOUNTING
4	2	G275407	BRACKET, LADDER
3	7	276089	CONNECTOR, RING 1 1/4 3/4
2	2	275408	PLATE, SPLICE
1	3	R276093	RING, STANDARD

10'-0" LADDER ASSEMBLY 275901
 10'-0" CAGE ASSY. WITH ENTRANCE 275969



LAST PLOT: 14 FEB 78 DBI W.O.#

THIS DRAWING AND THE INFORMATION CONTAINED HEREON IS UNCLASSIFIED EXCEPT WHERE SHOWN OTHERWISE AND IS NOT TO BE REPRODUCED WITHOUT PERMISSION.

2000 E. LEFFEL LANE AUTOCAD R13
 SPRINGFIELD, OHIO

INSTALLATION INSTRUCTIONS, LADDER & CAGE
 FOR: 10' LADDER, APOLLO - ACE

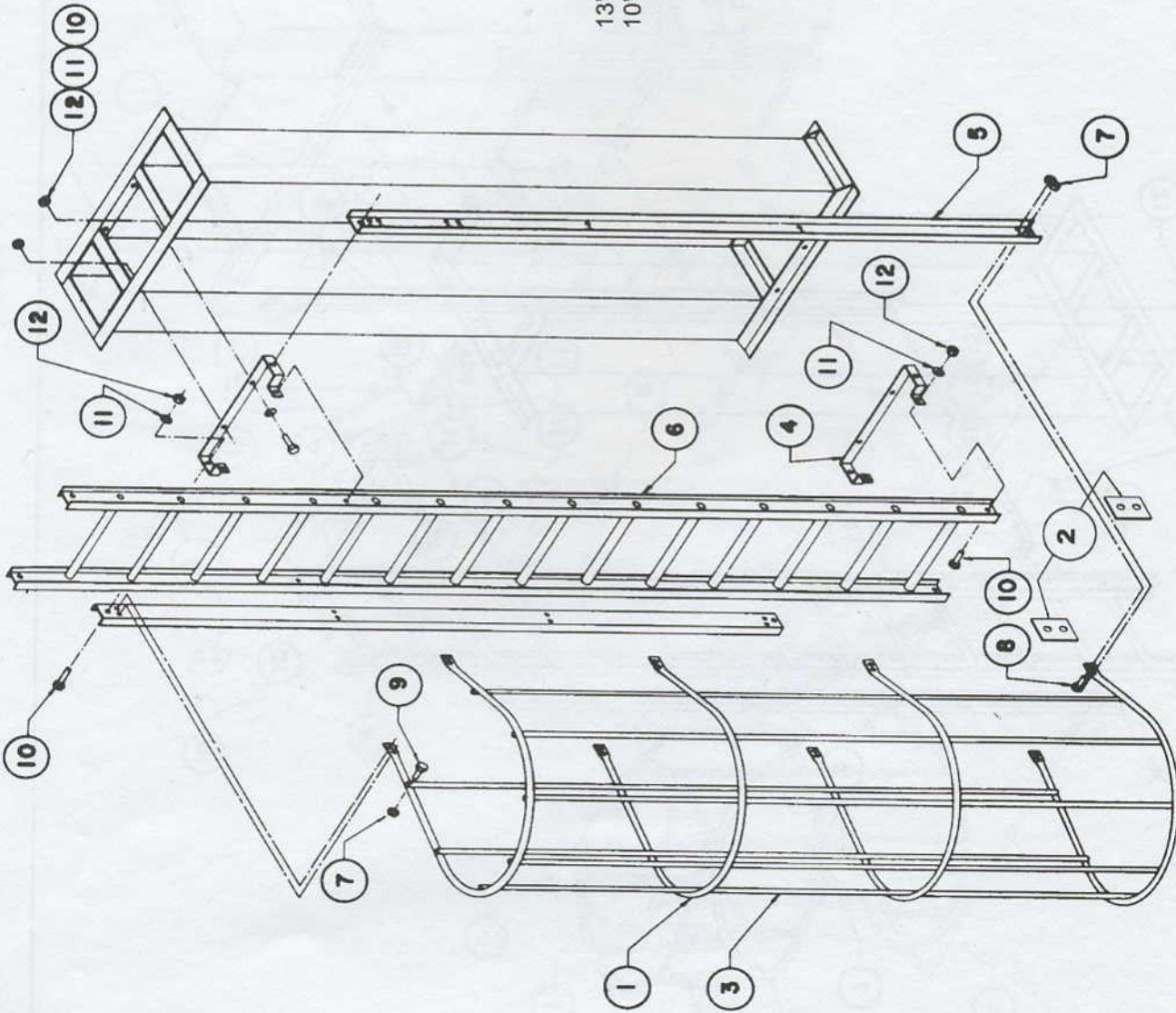
REV. NO.	DATE	BY	DESCRIPTION
1	11M CS 5/1/78	A	ISSUE
2		B	REVISION

UNLESS OTHERWISE SPECIFIED, ALL DIMENSIONS SHALL BE IN INCHES TO NEAREST 1/32".
 C. VOGEL
 14-FEB-78
 276063

BILL OF MATERIAL

ITEM	QTY	PART NUMBER	DESCRIPTION
12	12	400542	NUT, HEX 3/8-16, NYLON LOCK
11	12	400522	WASHER, FLAT 3/8
10	12	400082	BOLT, HEX HEAD 3/8-16 X 1
9	28	400045	BOLT, HEX HEAD 5/16-18 X 1 1/2
8	16	400042	BOLT, HEX HEAD 5/16-18 X 3/4
7	44	400541	NUT, HEX 5/16 X 18, NYLON LOCK
6	1	451550	LADDER 13 FOOT SECTION
5	2	276095	CHANNEL, RING MOUNTING
4	2	G275407	BRACKET, LADDER
3	7	276090	CONNECTOR, RING 102 1/4
2	2	275408	PLATE, SPLICE
1	4	R276093	RING, STANDARD

13'-0" LADDER ASSEMBLY 276106
 10'-0" UNDER PLATFORM CAGE ASSY. 275967



LAST PLOT: 5/13/87

DBI

W.O.#

THIS DRAWING AND THE INFORMATION CONTAINED HEREIN IS THE PROPERTY OF DBI INDUSTRIES, INC. AND SHALL REMAIN THE PROPERTY OF DBI INDUSTRIES, INC. IF IT IS REPRODUCED WITHOUT PERMISSION.



2000 E. LEFFEL LANE
 SPRINGFIELD, OHIO

Autocad R13

INSTALLATION INSTRUCTIONS, LADDER & CAGE
 FOR: 13' LADDER, APOLLO-ACE

UNDER PLATFORM

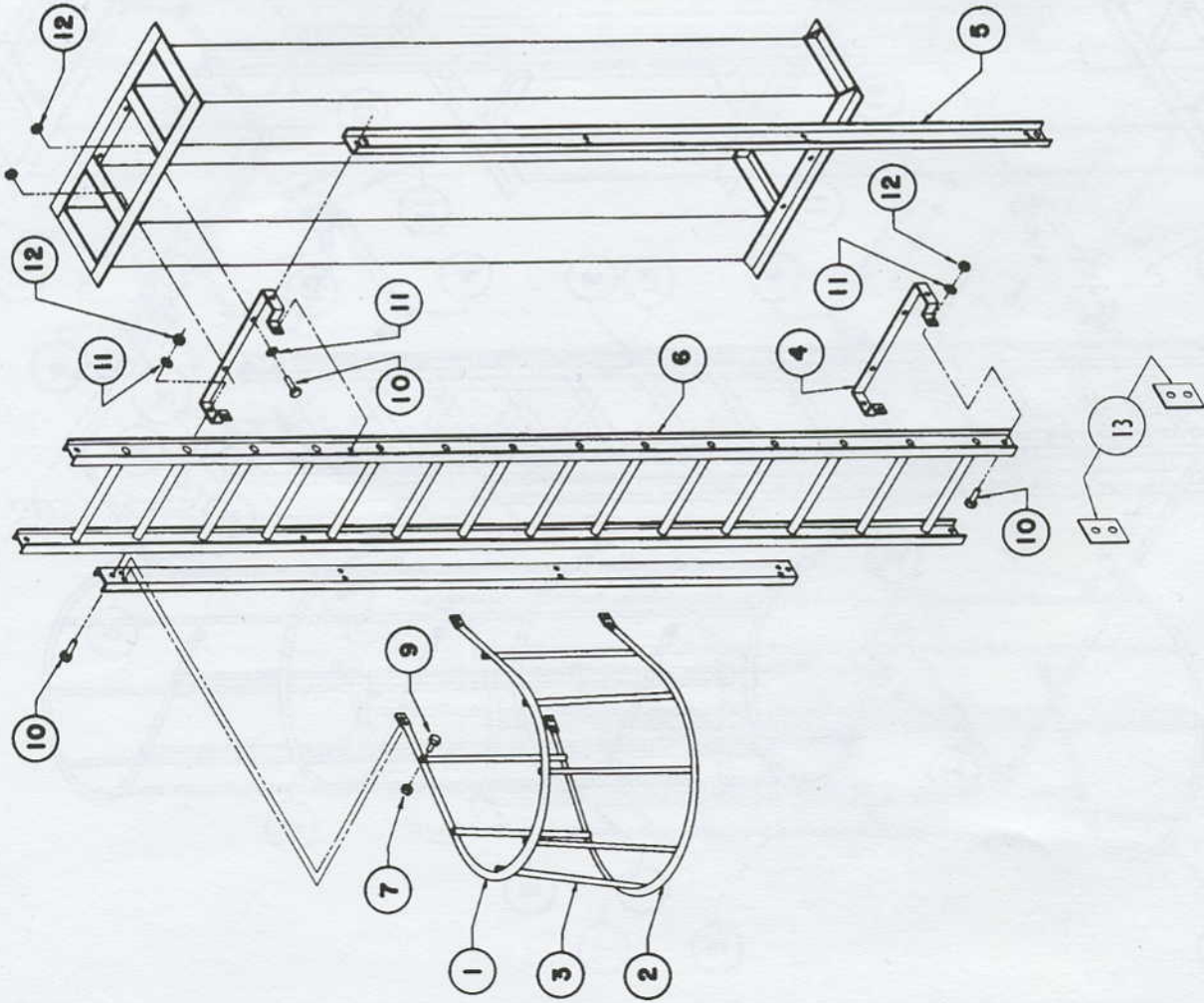
DATE: 11/25/87
 DRAWN BY: C. VOGEL
 CHECKED BY: J. H. HARRIS

276077

BILL OF MATERIAL

ITEM	QTY	PART NUMBER	DESCRIPTION
13	2	275408	PLATE, SPLICE
12	12	400542	NUT, HEX 3/8-16, NYLON LOCK
11	12	400522	WASHER, FLAT 3/8
10	12	400082	BOLT, HEX HEAD 3/8-16 X 1
9	14	400045	BOLT, HEX HEAD 5/16-18 X 1 1/2
8	8	400042	BOLT, HEX HEAD 5/16-18 X 3/4
7	22	400541	NUT, HEX 5/16 X 18, NYLON LOCK
6	1	451550	LADDER 13 FOOT SECTION
5	2	276095	CHANNEL, RING MOUNTING
4	2	G275407	BRACKET, LADDER
3	7	276092	CONNECTOR, RING 26 1/4
2	1	R276094	RING, ENTRANCE
1	1	R276093	RING, STANDARD

13'-0" LADDER ASSEMBLY 276106
2'-0" CAGE ASSEMBLY WITH ENTRANCE 275964



LAST PLOT: 18 JAN 78

DBI

W.O.#

THIS DRAWING AND THE INFORMATION CONTAINED HEREON IS AND SHALL REMAIN THE PROPERTY OF BUREAU OF PRISONS AND SHALL BE USED OR REPRODUCED WITHOUT PERMISSION.



2000 E. LEFTEL LAKE
SPRINGFIELD, OHIO

AutoCAD R13
INSTALLATION INSTRUCTIONS, LADDER & CAGE
FOR: 13' LADDER, APOLLO - ACE

DATE: 1/15/78

DESIGNED BY: C. VOGEL

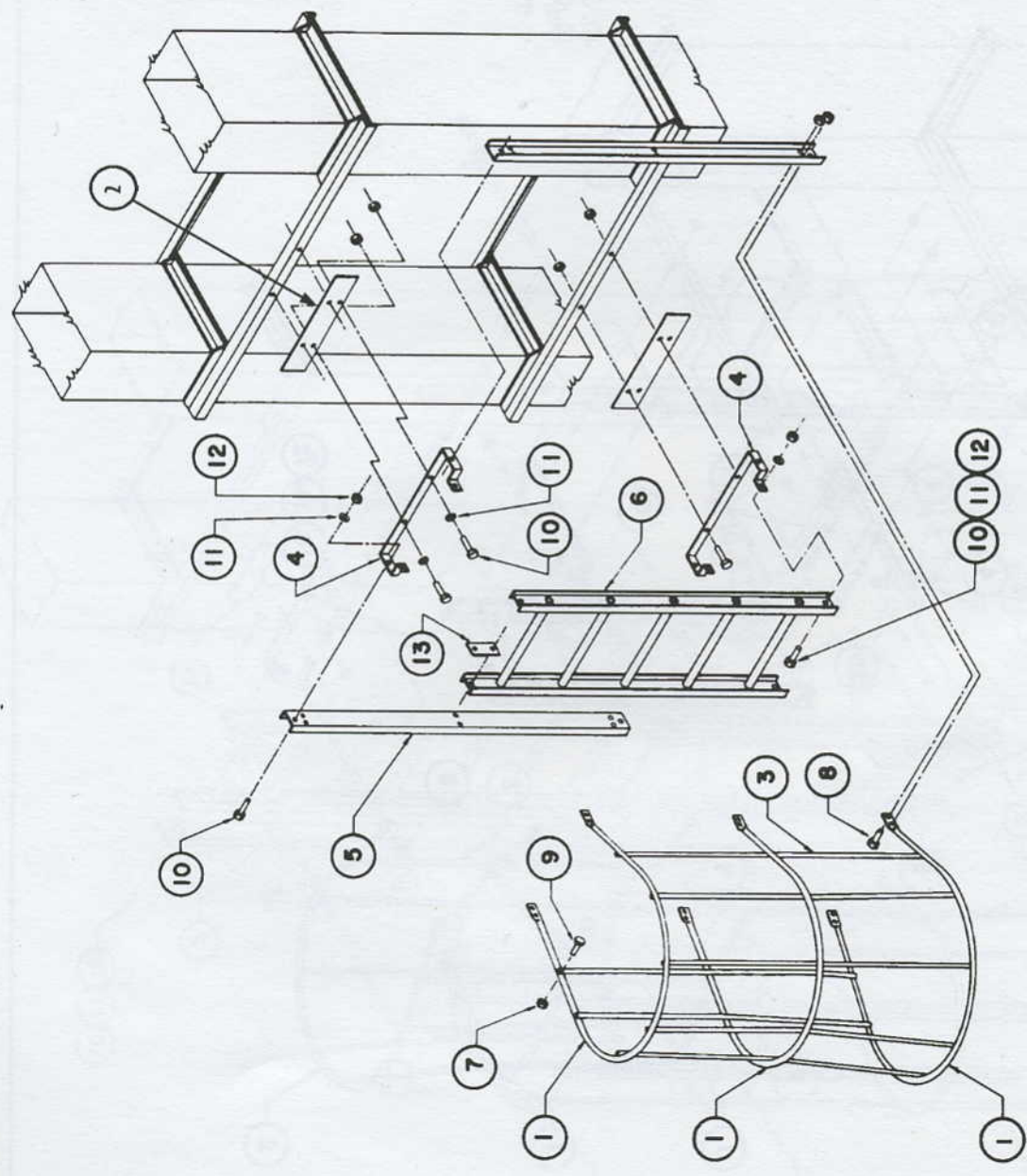
DATE: 1/15/78

276076

BILL OF MATERIAL

ITEM	QTY	PART NUMBER	DESCRIPTION
13	2	275408	PLATE, SPLICE
12	12	400542	NUT, HEX 3/8-16, NYLON LOCK
11	12	400522	WASHER, FLAT 3/8
10	12	400082	BOLT, HEX HEAD 3/8-16 X 1
9	21	400045	BOLT, HEX HEAD 5/16-18 X 1 1/2
8	12	400042	BOLT, HEX HEAD 5/16-18 X 3/4
7	33	400541	NUT, HEX 5/16 X 18, NYLON LOCK
6	1	451547	LADDER 5 FOOT SECTION
5	2	276096	CHANNEL, RING MOUNTING
4	2	275407	BRACKET, LADDER
3	7	276091	CONNECTOR, RING 54 3/4
2	1	G175283	PLATE, LADDER MOUNTING
1	3	276093	RING, STANDARD

5'-0" LADDER ASSEMBLY 275750
 5'-0" CAGE STANDARD ASSY. 275970



LAST PLOT: 18 JAN 78 DBI W.O.#

THIS DRAWING AND THE INFORMATION CONTAINED HEREON IS UNCLASSIFIED EXCEPT WHERE SHOWN OTHERWISE AND CANNOT BE USED OR REPRODUCED WITHOUT PERMISSION.

S 0000
 MANUFACTURING CO. AutocAD R13
 2000 E. LEFFEL LANE SPRINGFIELD, OHIO

212 DW 1# 1# A INSTALLATION INSTRUCTIONS, LADDER & CAGE
 FOR: 5' LADDER, MONARCH & TITAN

DATE: 18 JAN 78

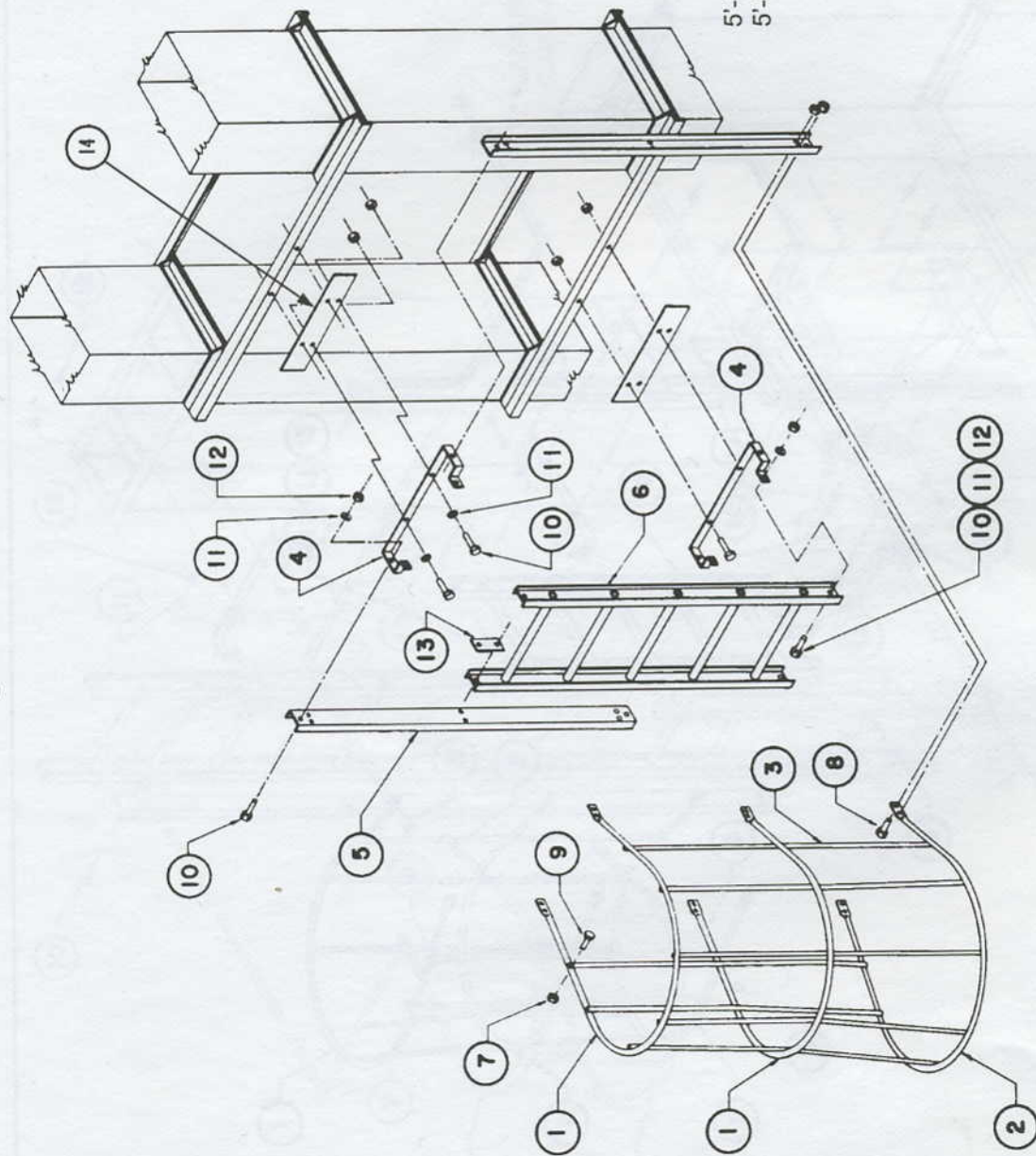
DESIGNED BY: C. VOGEL
 CHECKED BY: []
 DRAWN BY: []

SCALE: 1/2" = 1'-0"

PROJECT: 276072

BILL OF MATERIAL

ITEM QTY	PART NUMBER	DESCRIPTION
14	1	G175263 PLATE, LADDER MOUNTING
13	2	275408 PLATE, SPLICE
12	12	400542 NUT, HEX 3/8-16, NYLON LOCK
11	12	400522 WASHER, FLAT 3/8
10	12	400052 BOLT, HEX HEAD 3/8-16 X 1
9	21	400045 BOLT, HEX HEAD 5/16-18 X 1 1/2
8	12	400042 BOLT, HEX HEAD 5/16-18 X 3/4
7	33	400541 NUT, HEX 5/16 X 18, NYLON LOCK
6	1	451547 LADDER 5 FOOT SECTION
5	2	276096 CHANNEL, RING MOUNTING
4	2	275407 BRACKET, LADDER
3	7	276091 CONNECTOR, RING 54 3/4
2	1	276094 RING, ENTRANCE
1	2	276093 RING, STANDARD



**5'-0" LADDER ASSEMBLY 275750
5'-0" CAGE ASSY. WITH ENTRANCE 275968**

LAST PLOT: 18/JAN/78 DBI W.O.#

S THIS DRAWING AND THE INFORMATION CONTAINED HEREON SHALL NOT BE USED OR REPRODUCED WITHOUT PERMISSION.

S MANUFACTURING CO. 2000 E. LEFFEL LANE AutoCAD R13 SPRINGFIELD, OHIO

LIST BY DATE CHECKED FOR: 5' LADDER, MONARCH & TITAN
212 CW HBR A

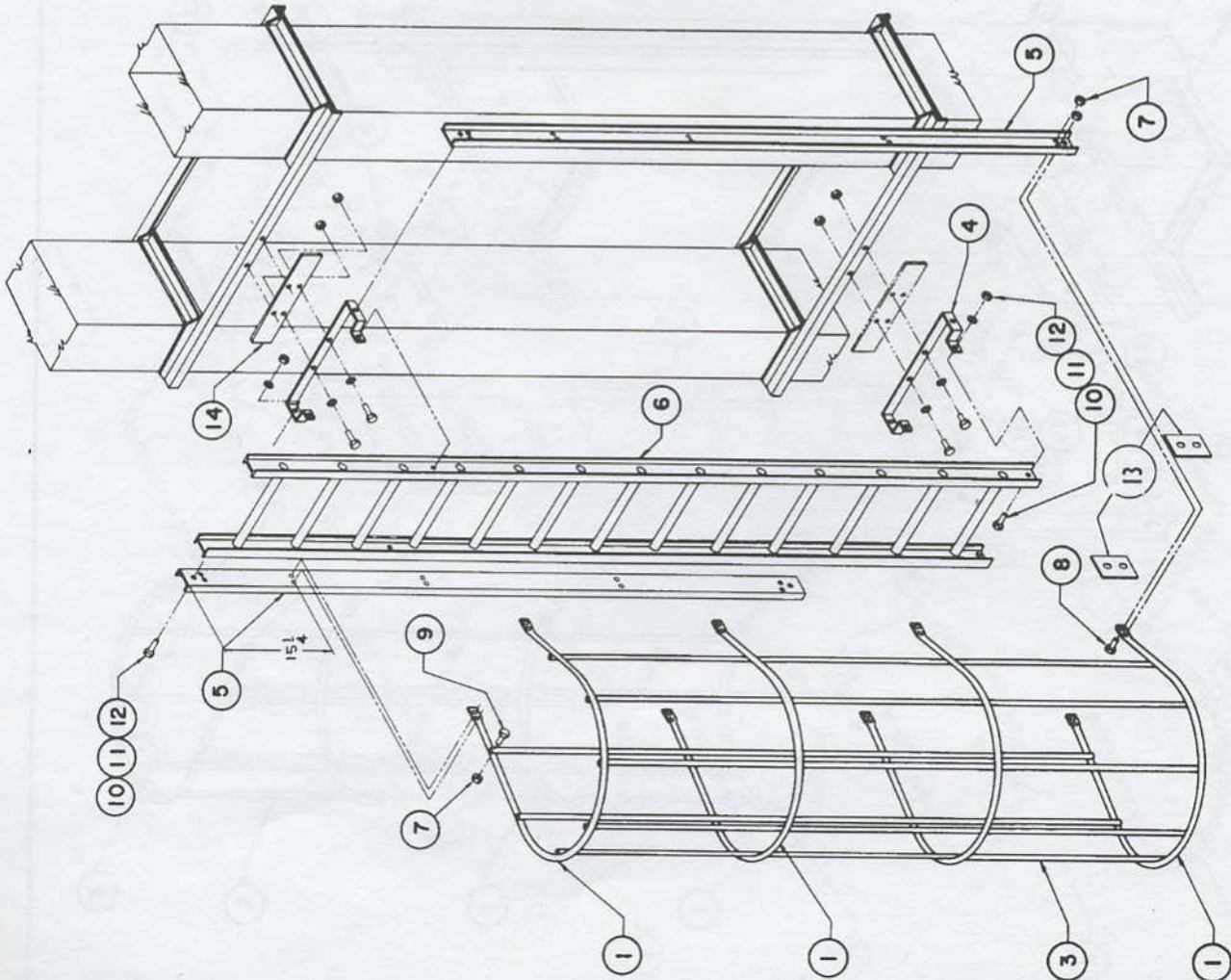
SCALE: 1" = 1'-0" (AS SHOWN)
DATE: 18-JAN-78

DRAWING NO. 276071

BILL OF MATERIAL

ITEM	QTY	PART NUMBER	DESCRIPTION
14	1	G175263	PLATE, LADDER MOUNTING
13	2	275408	PLATE, SPLICE
12	12	400542	NUT, HEX 3/8-16, NYLON LOCK
11	12	400522	WASHER, FLAT 3/8
10	12	400082	BOLT, HEX HEAD 3/8-16 X 1 1/2
9	28	400045	BOLT, HEX HEAD 5/16-18 X 1 3/4
8	16	400042	NUT, HEX 5/16 X 18, NYLON LOCK
7	44	400541	LADDER 10 FOOT SECTION
6	1	451548	CHANNEL, RING MOUNTING
5	2	276096	BRACKET, LADDER
4	2	275407	CONNECTOR, RING 1 1/4 3/4
3	7	276089	RING, STANDARD
2	1	276093	RING, STANDARD

10'-0" LADDER ASSEMBLY 275751
 10'-0" CAGE ASSY. STANDARD 275971



LAST PLOT: 9 MAY 78

DBI

W.O.#



MANUFACTURING CO.
 2000 E. LEFFEL LANE
 SPRINGFIELD, OHIO

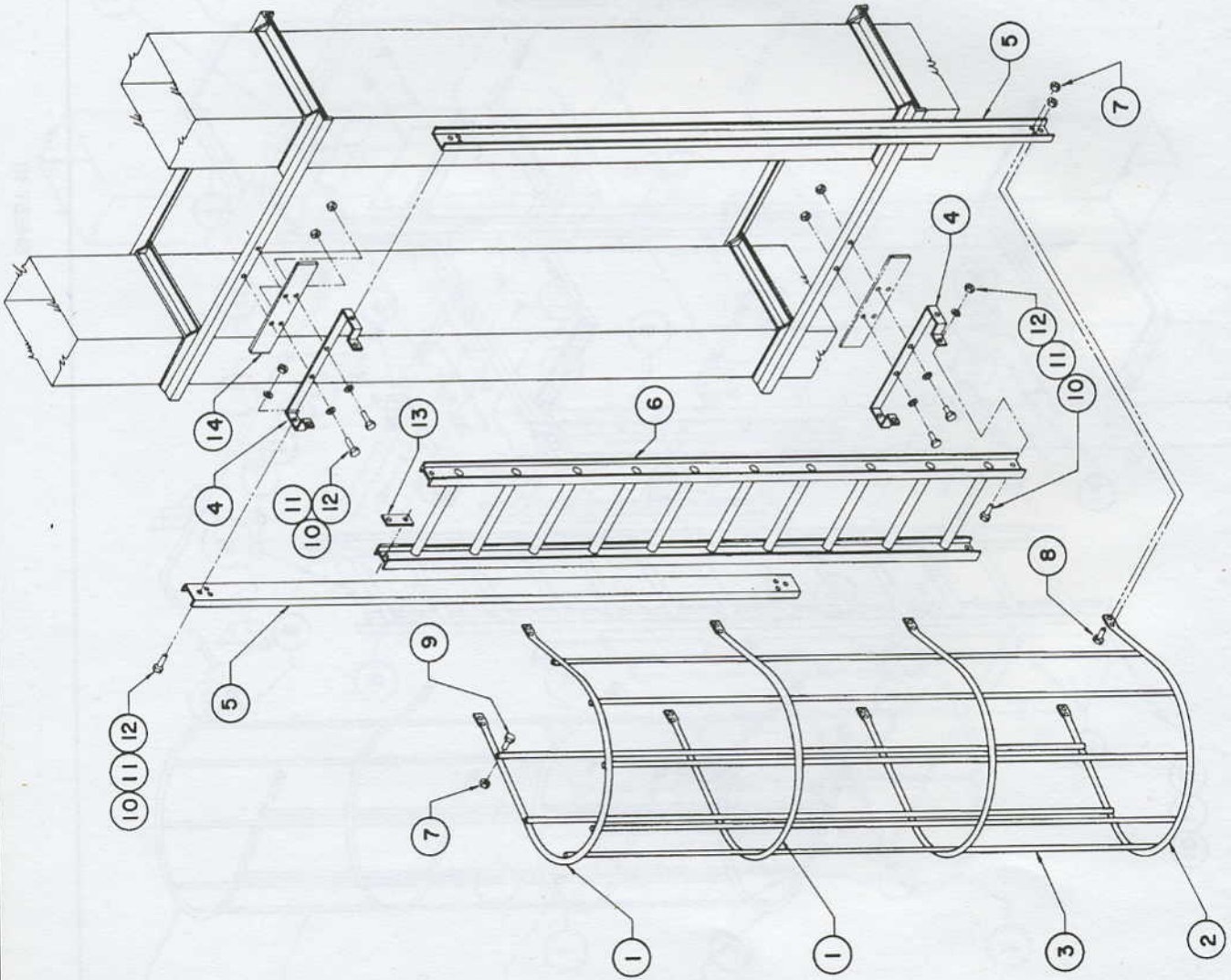
INSTALLATION INSTRUCTIONS, LADDER & CAGE
 FOR: 10' LADDER, MONARCH & TITAN

UNLESS OTHERWISE SPECIFIED, ALL DIMENSIONS SHALL BE IN INCHES AND DECIMALS THEREOF.
 C. VOGEL
 18-JAN-78
 276070

BILL OF MATERIAL

ITEM	QTY	PART NUMBER	DESCRIPTION
14	1	G175263	PLATE, LADDER MOUNTING
13	2	275408	PLATE, SPLICE
12	12	400542	NUT, HEX 3/8-16, NYLON LOCK
11	12	400522	WASHER, FLAT 3/8
10	12	400082	BOLT, HEX HEAD 3/8-16 X 1
9	28	400045	BOLT, HEX HEAD 5/16-18 X 1 1/2
8	16	400042	BOLT, HEX HEAD 5/16-18 X 3/4
7	44	400541	NUT, HEX 5/16 X 18, NYLON LOCK
6	1	451548	LADDER 10 FOOT SECTION
5	2	276096	CHANNEL, RING MOUNTING
4	2	275407	BRACKET, LADDER
3	7	276089	CONNECTOR, RING 1 1/4 3/4
2	1	276094	RING, ENTRANCE
1	3	276093	RING, STANDARD

10'-0" LADDER ASSEMBLY 275751
 10'-0" CAGE ASSY. WITH ENTRANCE 275969



LAST PLOT: 9/MAY/78

DBI

W.O.#

THIS DRAWING AND THE INFORMATION CONTAINED HEREIN ARE THE PROPERTY OF DBI INDUSTRIES, INC. AND SHALL NOT BE USED OR REPRODUCED WITHOUT PERMISSION.



2000 E. LEFFEL LANE
 SPRINGFIELD, OHIO
 AutoCAD R13

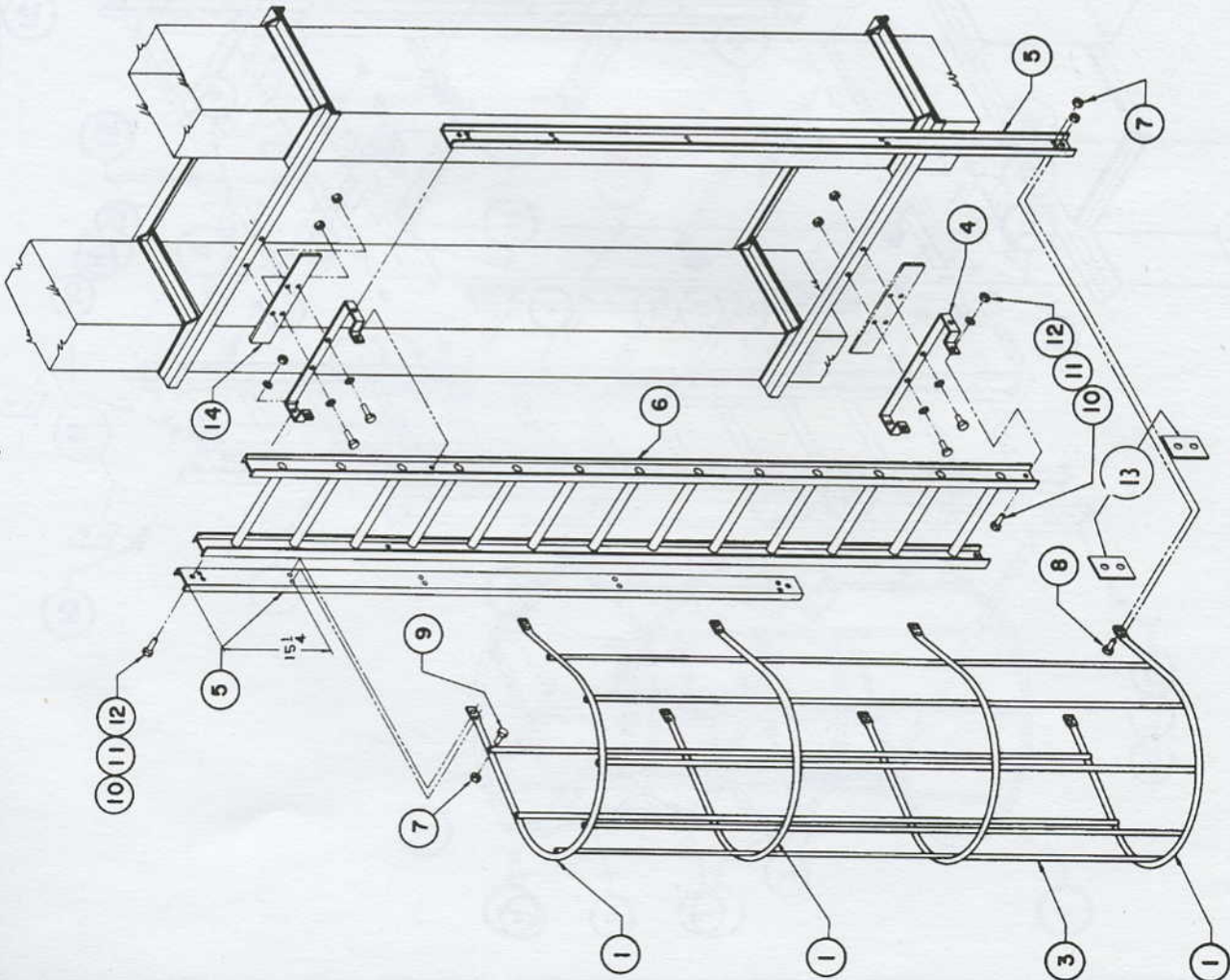
INSTALLATION INSTRUCTIONS, LADDER & CAGE
 FOR: 10' LADDER, MONARCH & TITAN

ORDER BY	UNLESS OTHERWISE SPECIFIED, ALL DIMENSIONS ARE IN INCHES.	SCALE	DATE
C. VOGEL	1/2" = 1'-0"	11/22/80	013
18-JAN-78	18-JAN-78		
			276069

BILL OF MATERIAL

ITEM	QTY	PART NUMBER	DESCRIPTION
14	2	G175263	PLATE, LADDER MOUNTING
13	2	275408	PLATE, SPLICE
12	12	400542	NUT, HEX 3/8-16, NYLON LOCK
11	12	400522	WASHER, FLAT 3/8
10	12	400082	BOLT, HEX HEAD 3/8-16 X 1
9	28	400045	BOLT, HEX HEAD 5/16-18 X 1 1/2
8	16	400042	BOLT, HEX HEAD 5/16-18 X 3/4
7	44	400541	NUT, HEX 5/16 X 18, NYLON LOCK
6	1	451550	LADDER 13 FOOT SECTION
5	2	276096	CHANNEL, RING MOUNTING
4	2	275407	BRACKET, LADDER
3	7	276090	CONNECTOR, RING 102 1/4
2			
1	4	276093	RING, STANDARD

13'-0" LADDER ASSEMBLY 276107
 10'-0" UNDER PLATFORM CAGE ASSY. 275967



LAST PLOT: 9 MAY 78

DBI

W.O.#

THIS DRAWING AND THE INFORMATION CONTAINED HEREON IS THE PROPERTY OF SPOON MANUFACTURING CO. AND SHALL REMAIN THE PROPERTY OF SPOON MANUFACTURING CO. AND SHALL NOT BE USED OR REPRODUCED WITHOUT PERMISSION.



2000 E. LEFFEL LANE
 SPRINGFIELD, OHIO

AutoCAD R13

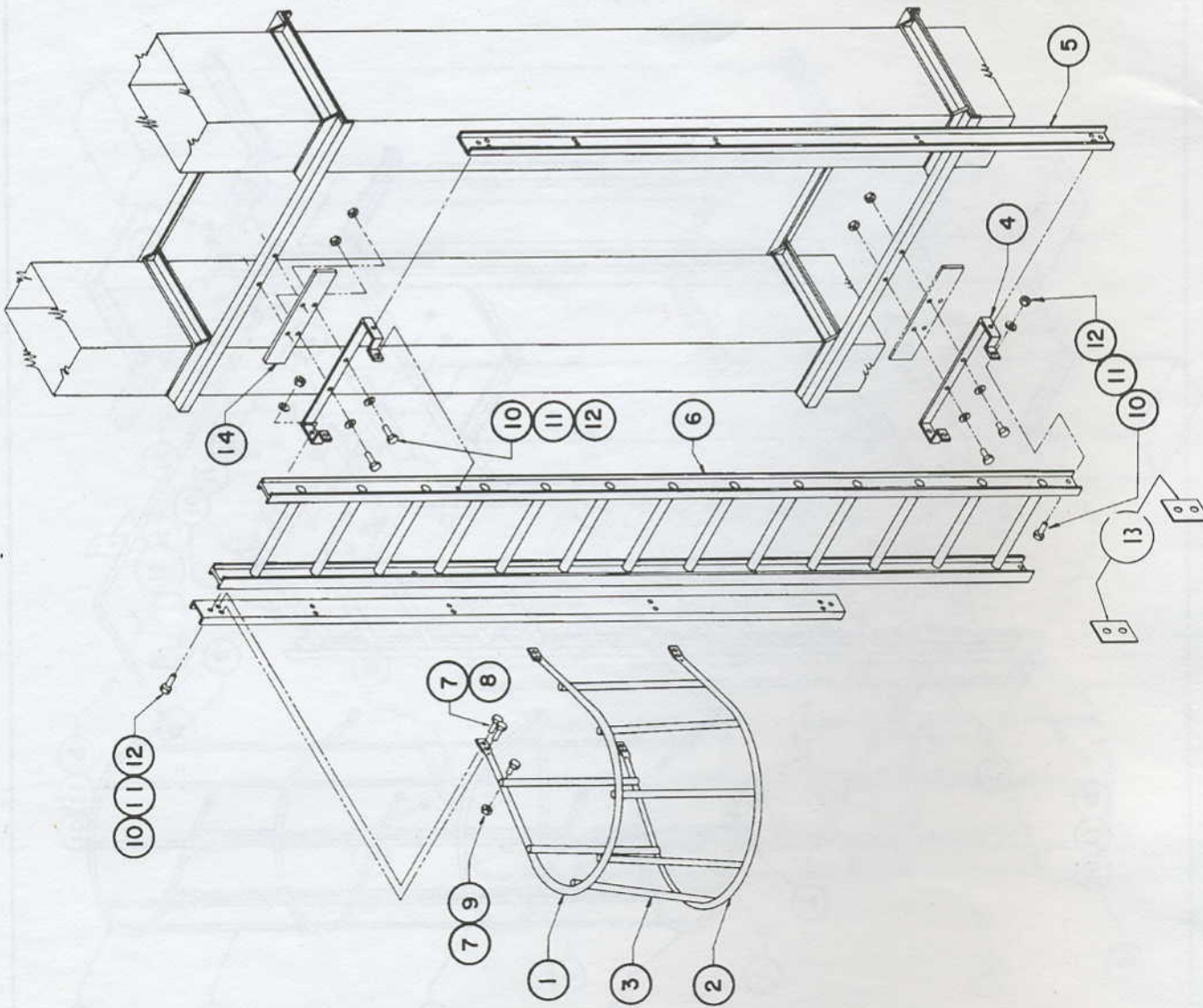
INSTALLATION INSTRUCTIONS, LADDER & CAGE
 FOR: 13' LADDER, MONARCH & TITAN

REV. BY	DATE	REVISION	WARRANTY	SCALE	WEIGHT
Z12 DM	1/87	A	UNDER SERVICE PLATFORM	1/32" = 1'-0"	276075
CHECKED BY			UNLESS OTHERWISE SPECIFIED, ALL DIMENSIONS SHALL BE IN INCHES AND DECIMALS THEREOF.		
DESIGNED BY			C. VOGEL		
DATE			18-JAN-78		

BILL OF MATERIAL

ITEM	QTY	PART NUMBER	DESCRIPTION
14	2	G175263	PLATE, LADDER MOUNTING
13	2	275408	PLATE, SPLICE
12	12	400542	NUT, HEX 3/8-16, NYLON LOCK
11	12	400522	WASHER, FLAT 3/8
10	12	400082	BOLT, HEX HEAD 3/8-16 X 1
9	14	400045	BOLT, HEX HEAD 5/16-18 X 1 1/2
8	8	400042	BOLT, HEX HEAD 5/16-18 X 3/4
7	22	400541	NUT, HEX 5/16 X 18, NYLON LOCK
6	1	451550	LADDER 13 FOOT SECTION
5	2	276096	CHANNEL, RING MOUNTING
4	2	275407	BRACKET, LADDER
3	7	276092	CONNECTOR, RING 26 1/4
2	1	276094	RING, ENTRANCE
1	1	276093	RING, STANDARD

2'-0" CAGE ASSY. WITH ENTRANCE 275964
 13'-0" LADDER ASSY. 276107 SHOWN
 10'-0" LADDER ASSY. 275751 NOT SHOWN



LAST PLOT: 9 MAY 78 DBI W.O.#

S 0000
 MANUFACTURING CO. AUTOCAD R13
 2000 E. LEFFEL LANE SPRINGFIELD, OHIO

INSTALLATION INSTRUCTIONS, LADDER & CAGE
 FOR: 13' LADDER MONARCH & TITAN

UNDER SERVICE PLATFORM

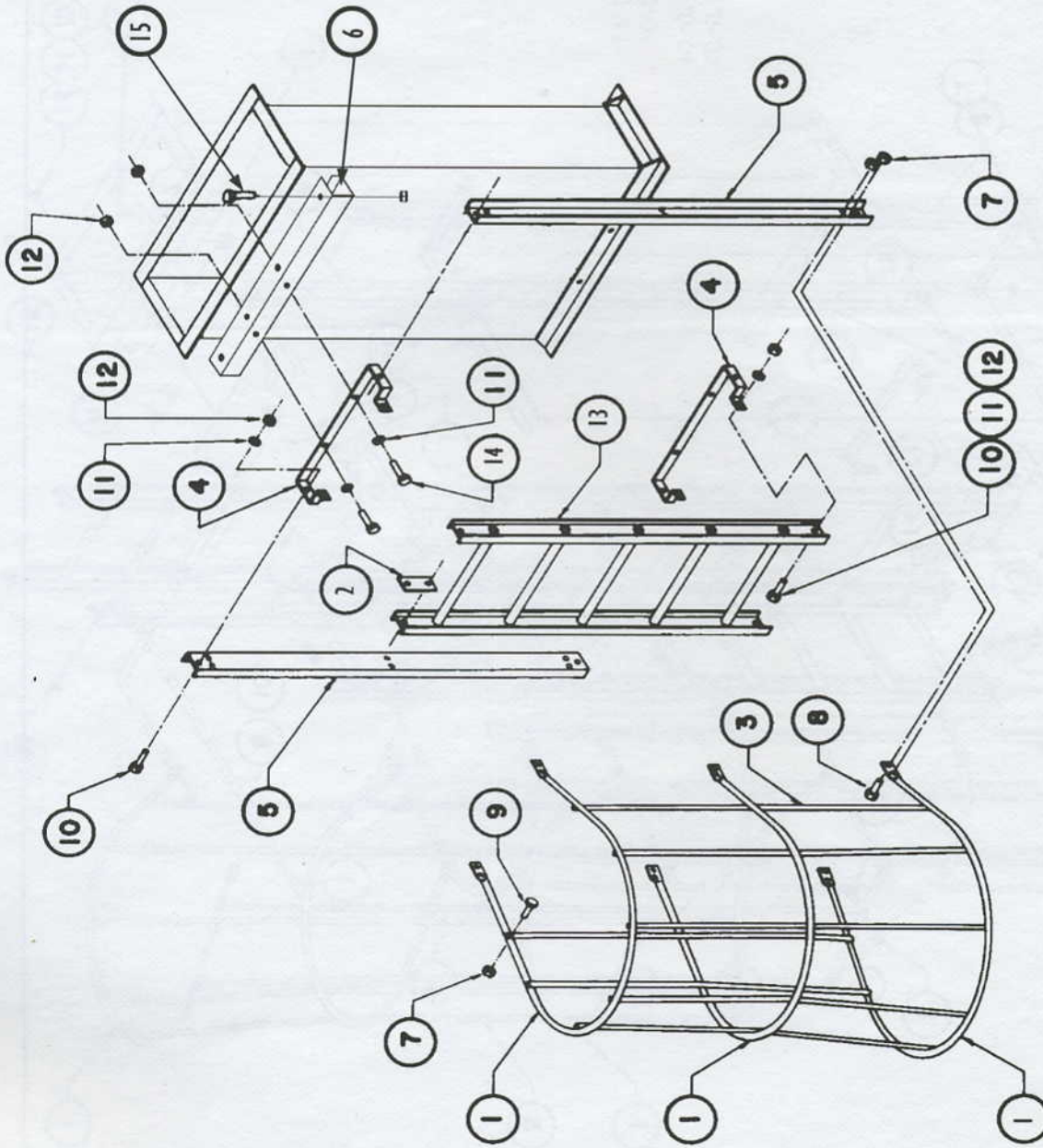
DATE: 18-JAN-78

276192

BILL OF MATERIAL

ITEM	QTY	PART NUMBER	DESCRIPTION
15	8	400084	BOLT, HEX 3/8-16 X 1 1/2
14	4	400083	BOLT, HEX 3/8-16 X 1 1/4
13	1	451547	LADDER, 5' SECTION
12	24	400542	LOCK NUT, NYLON INSERT 3/8-16
11	12	400522	WASHER, FLAT 3/8
10	12	400082	BOLT, HEX HEAD 3/8-16 X 1
9	21	400045	BOLT, HEX HEAD 5/16-18 X 1 1/2
8	12	400042	BOLT, HEX HEAD 5/16-18 X 3/4
7	33	400541	NUT, HEX 5/16 X 18
6	1	276019	LADDER BRACKET CHANNEL
5	2	276095	CHANNEL, RING MOUNTING
4	2	0275407	BRACKET, LADDER
3	7	276091	CONNECTOR, RING 54 3/4
2	2	275408	PLATE, SPLICE
1	3	R276093	RING, STANDARD

5'-0" LADDER ASSEMBLY 275930
 5'-0" CAGE ASSY. STANDARD 275970



LAST PLOT: 14 FEB 78 DBI W.O.#

S 2000
 MANUFACTURING CO. 2000 E. LEFFEL LANE AUSTIN, TEXAS 78748
 SPRINGFIELD, OHIO

INSTALLATION INSTRUCTIONS, LADDER & CAGE
 FOR: 5' LADDER, SINGLE CASING

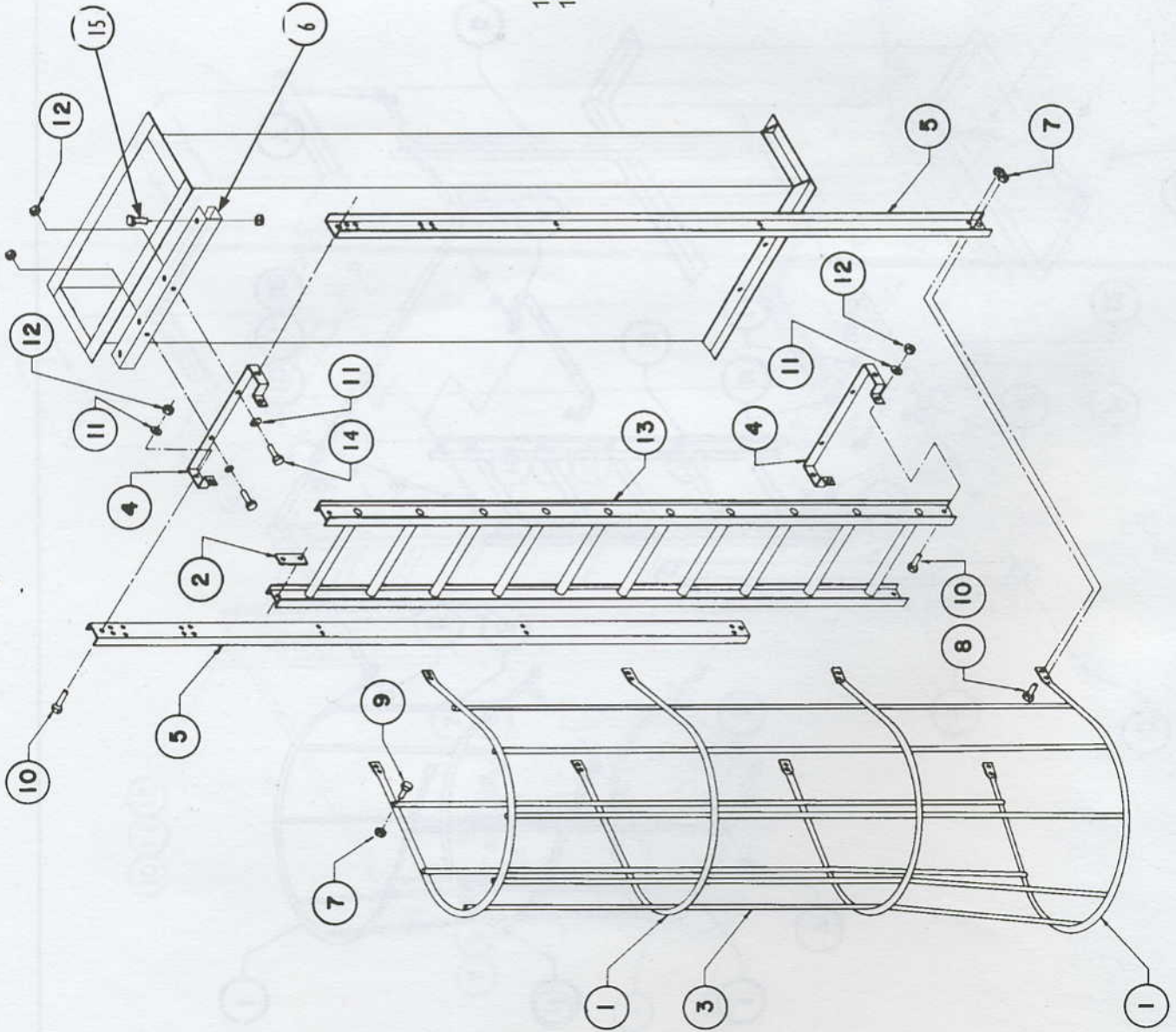
REV. #	DATE	ISSUED	BY	CHKD. BY	W.O. NO.
212	04/18/78	A			
1174	05/11/78	B			

DESIGNED BY: C. VOGEL
 DRAWN BY: C. VOGEL
 DATE: 14-FEB-78
 WEIGHT: 275930

BILL OF MATERIAL

ITEM	QTY	PART NUMBER	DESCRIPTION
15	8	400084	BOLT, HEX 3/8-16 X 1 1/2
14	4	400083	BOLT, HEX 3/8-16 X 1 1/4
13	1	451548	LADDER, 10' SECTION
12	20	400542	LOCKNUT, NYLON INSERT 3/8-16
11	20	400522	WASHER, FLAT 3/8
10	8	400082	BOLT, HEX HEAD 3/8-16 X 1
9	28	400045	BOLT, HEX HEAD 5/16-18 X 1 1/2
8	16	400042	BOLT, HEX HEAD 5/16-18 X 3/4
7	44	400541	NUT, HEX 5/16 X 18
6	1	276019	LADDER BRACKET CHANNEL
5	2	276095	CHANNEL, RING MOUNTING
4	2	G275407	BRACKET, LADDER
3	7	276089	CONNECTOR, RING 1 1/4 3/4
2	2	275408	PLATE, SPLICE
1	4	R276093	RING, STANDARD

10'-0" LADDER ASSY. 275925
 10'-0" CAGE ASSY. STANDARD 275971



LAST PLOT: 14\FEB\78

DBI

W.O.#

THIS DRAWING AND THE INFORMATION CONTAINED HEREON IS THE PROPERTY OF S.W. VOGEL & COMPANY, INC. AND SHOULD BE USED OR REPRODUCED WITHOUT PERMISSION.



2000 E. LEFFEL LANE
 SPRINGFIELD, OHIO

INSTALLATION INSTRUCTIONS, LADDER & CAGE

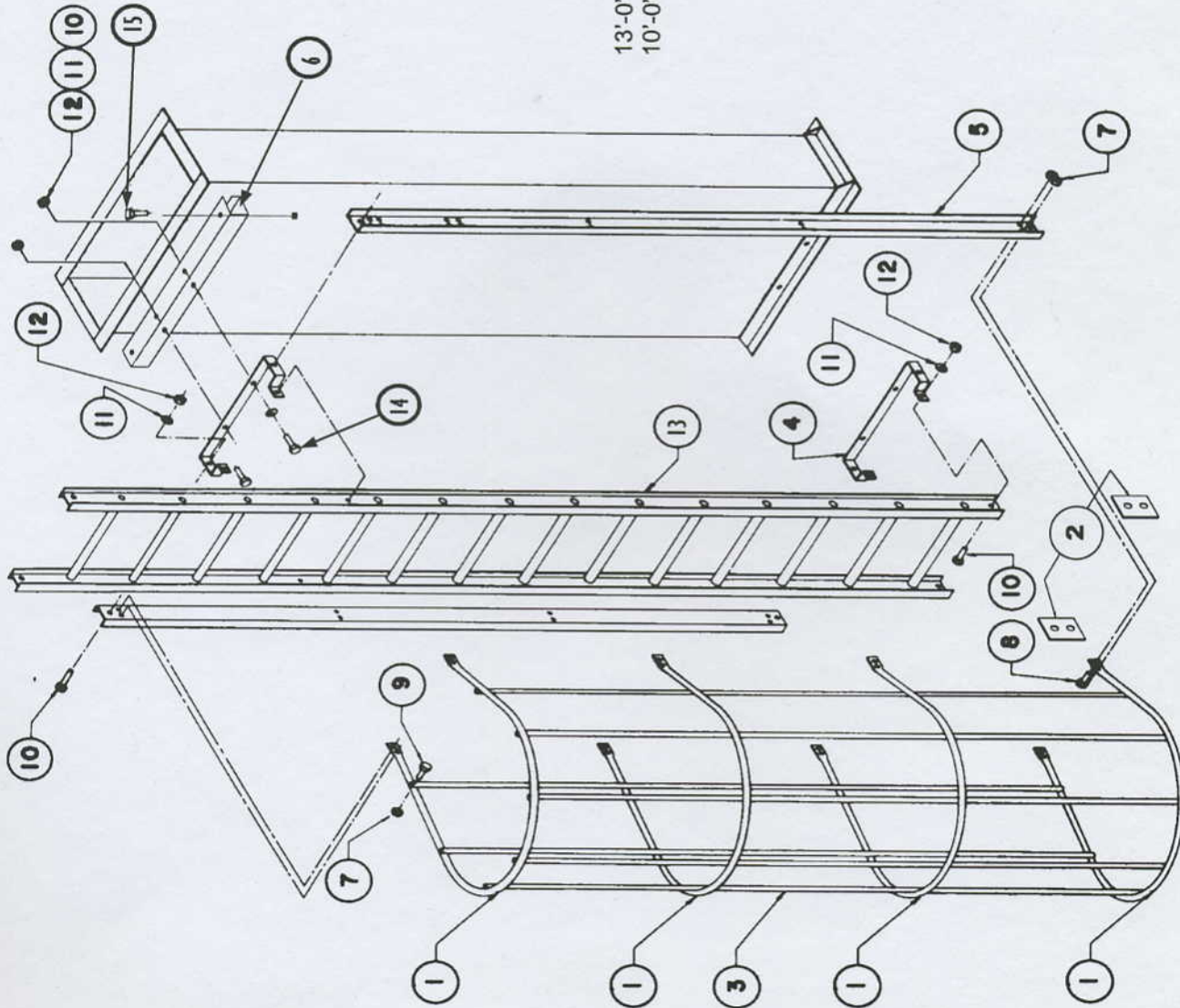
FOR: 10' LADDER, SINGLE CASING

DATE: 11-14-78
 DRAWN BY: C. VOGEL
 CHECKED BY: [blank]
 SCALE: 1/4" = 1'-0"
 SHEET NO.: 275925

BILL OF MATERIAL

ITEM	QTY	PART NUMBER	DESCRIPTION
15	8	400084	BOLT, HEX 3/8-16 X 1 1/2
14	4	400083	BOLT, HEX 3/8-16 X 1 1/4
13	1	451550	LADDER, 13' SECTION
12	24	400542	LOCK NUT, NYLON INSERT 3/8-16
11	12	400522	WASHER, FLAT 3/8
10	12	400082	BOLT, HEX HEAD 3/8-16 X 1
9	28	400045	BOLT, HEX HEAD 5/16-18 X 1 1/2
8	16	400042	BOLT, HEX HEAD 5/16-18 X 3/4
7	44	400541	NUT, HEX 5/16 X 18
6	2	276019	LADDER BRACKET CHANNEL
5	2	276095	CHANNEL, RING MOUNTING
4	2	G275407	BRACKET, LADDER
3	7	276090	CONNECTOR, RING 102 1/4
2	2	275408	PLATE, SPLICE
1	4	R276093	RING, STANDARD

13'-0" LADDER ASSEMBLY 275932
10'-0" UNDER PLATFORM CAGE ASSY. 275967



LAST PLOT: 14 FEB 78 DBI W.O.#

SEE DRAWING AND THE INFORMATION CONTAINED THEREIN AS AND SHALL REMAIN THE PROPERTY OF SMOKE-TEK CO. AND SHALL NOT BE USED OR REPRODUCED WITHOUT PERMISSION.

Smokey-Tek
MANUFACTURING CO.

2000 E. LEFFEL LANE
SPRINGFIELD, OHIO

AutoCAD R13

INSTALLATION INSTRUCTIONS, LADDER & CAGE

212 DW #101 A FOR: 13' LADDER, SINGLE CASING

117H CS 2401 B

UNLESS OTHERWISE SPECIFIED, ALL DIMENSIONS SHALL BE IN INCHES.

DATE: 11/27/75, DEC. 1, 018

DESIGNED BY: C. VOGEL

DATE: 11-1-FEB-78

275932

LADDER ASSEMBLIES

ATOM, BI, BII, CANE, DART & EXPO

275898	5 FOOT LADDER
275899	10 FOOT LADDER
276105	13 FOOT LADDER

APOLLO – ACE

275900	5 FOOT LADDER
275901	10 FOOT LADDER
276106	13 FOOT LADDER

MONARCH – TITAN

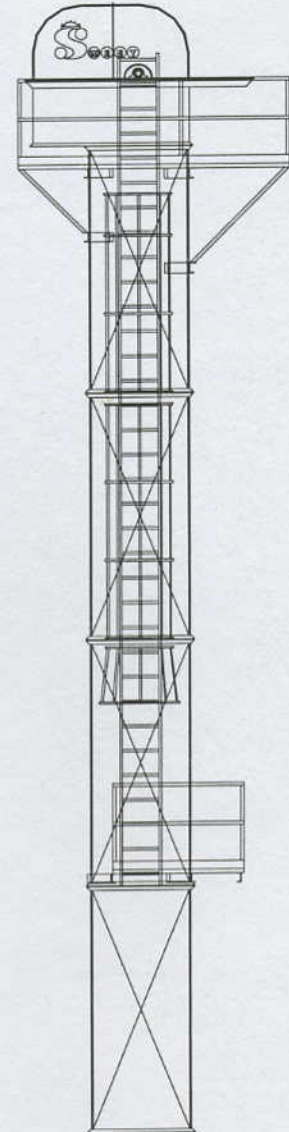
275750	5 FOOT LADDER
275751	10 FOOT LADDER
276107	13 FOOT LADDER

ALL SINGLE CASING ELEVATORS

275930	5 FOOT LADDER
275925	10 FOOT LADDER
275932	13 FOOT LADDER

CAGE ASSEMBLIES

275964	2 FOOT WITH ENTRANCE AND CHANNEL
275965	5 FOOT ENTRANCE WITH 10 FOOT CHANNEL
275968	5 FOOT WITH ENTRANCE
275970	5 FOOT STANDARD
275967	10 FOOT UNDER PLATFORM
275969	10 FOOT WITH ENTRANCE
275971	10 FOOT STANDARD



MANUFACTURING COMPANY

2000 EAST LEFFEL LANE SPRINGFIELD, OHIO 45501 1-(800)-334-7254