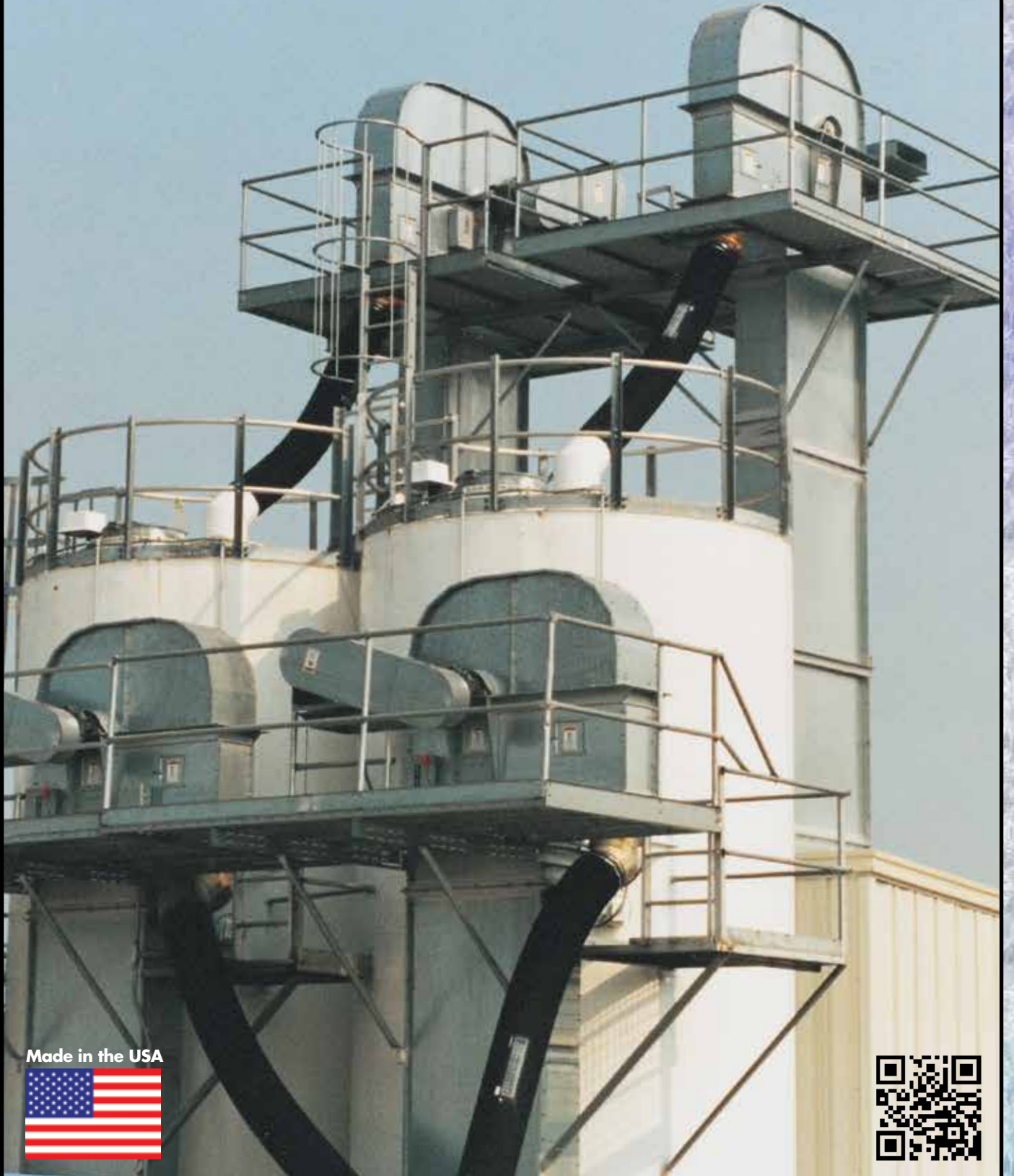


INDUSTRIAL BUCKET ELEVATORS



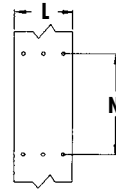
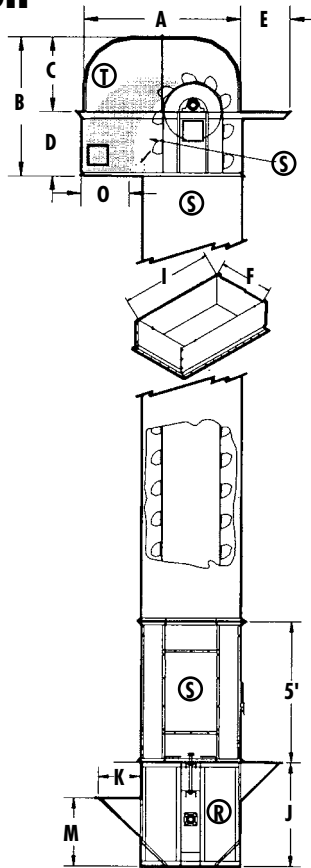
Made in the USA



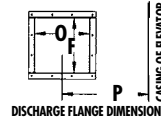
OUR MISSION: To provide innovative quality solutions that create an extraordinary customer experience.

CENTRIFUGAL DISCHARGE

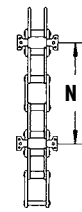
Belt



BELT

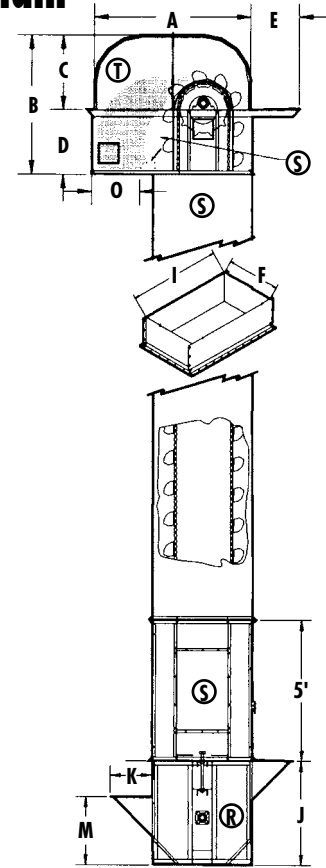


DISCHARGE FLANGE DIMENSION



CHAIN

Chain



STANDARD SPECIFICATIONS

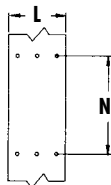
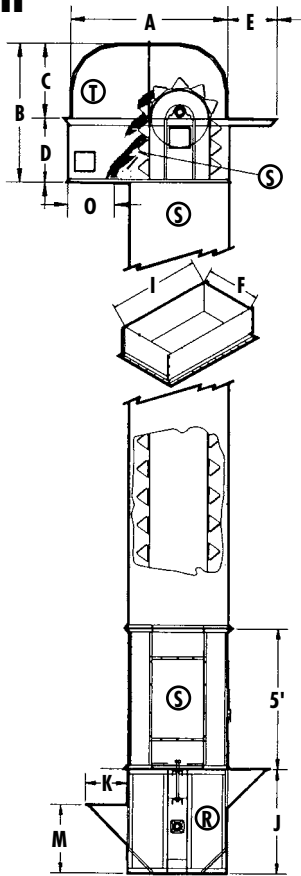
Belt		Dimensions																	Gauge				Chain	
High Capacity Model	Standard Model	A	B	C	D	E	F	I	J	K	L	M	N	O	P	R	S	T	Liner	Standard Model	High Capacity Model			
HB64A11	B64A11	46"	42"	23"	19"	22"	12"	26"	32"	14"	7"	20"	13"	12"	14"	10	12	14	10	C64A11	HC64A11			
HB85A11	B85A11	46"	42"	23"	19"	22"	12"	26"	32"	14"	9"	20"	13"	12"	14"	10	12	14	10	C85A11	HC85A11			
HB64A18	B64A18	55"	47"	28"	19"	24"	12"	34"	39"	15"	7"	24"	13"	12"	15"	10	12	14	10	C64A18	HC64A18			
HB85A18	B85A18	55"	47"	28"	19"	24"	12"	34"	39"	15"	9"	24"	13"	12"	15"	10	12	14	10	C85A18	HC85A18			
HB85A24	B85A24	66"	59"	32"	27"	24"	14"	42"	44"	16"	9"	28"	13"	14"	17"	10	12	14	10	C85A24	HC85A24			
HB106A24	B106A24	75"	69"	37"	32"	32"	14"	48"	48"	18"	11"	30"	15"	14"	20"	10	12	14	10	C106A24	HC106A24			
HB127A24	B127A24	75"	69"	37"	32"	32"	17"	48"	48"	18"	13"	30"	15"	17"	20"	10	12	14	10	C127A24	HC127A24			
HB147A24	B147A24	75"	69"	37"	32"	32"	20"	48"	48"	18"	15"	30"	18"	17"	20"	10	12	14	10	C147A24	HC147A24			
HB127A30	B127A30	87"	99"	52"	47"	32"	17"	56"	56"	20"	13"	36"	15"	17"	22"	3/16	10	14	10	C127A30	HC127A30			
HB147A30	B147A30	87"	99"	52"	47"	32"	20"	56"	56"	20"	15"	36"	18"	17"	22"	3/16	10	14	10	C147A30	HC147A30			
HB168A30	B168A30	87"	99"	52"	47"	32"	20"	56"	56"	20"	17"	36"	18"	17"	22"	3/16	10	14	10	C168A30	HC168A30			
HB188A30	B188A30	87"	99"	52"	47"	32"	24"	56"	56"	20"	19"	36"	18"	17"	22"	3/16	10	14	10	C188A30	HC188A30			

Heavier gauges/thicknesses are available upon request. Contact sales for price and availability.

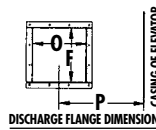
Note: Dimensions (to the nearest whole inch) are for reference only and may be subject to change.

CONTINUOUS DISCHARGE

Belt

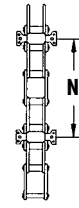


BELT



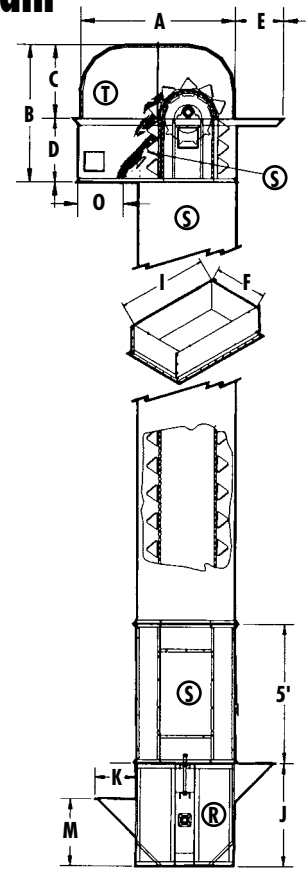
DISCHARGE FLANGE DIMENSION

CASING OF ELEVATOR



CHAIN

Chain



STANDARD SPECIFICATIONS

Belt Model	Dimensions														Gauge				Chain Model
	A	B	C	D	E	F	I	J	K	L	M	N	O	P	R	S	T	Liner	
B85E18	55"	47"	28"	19"	24"	12"	34"	39"	15"	9"	24"	8"	12"	15"	10	12	14	10	C85E18
B85E24	66"	59"	32"	27"	24"	14"	42"	44"	16"	9"	28"	8"	14"	17"	10	12	14	10	C85E24
B105E24	66"	59"	32"	27"	24"	14"	42"	44"	16"	11"	28"	8"	14"	17"	10	12	14	10	C105E24
B107E24	75"	69"	37"	32"	32"	14"	48"	48"	18"	11"	30"	12"	14"	20"	10	12	14	10	C107E24
B127E24	75"	69"	37"	32"	32"	17"	48"	48"	18"	13"	30"	12"	17"	20"	10	12	14	10	C127E24
B147E24	75"	69"	37"	32"	32"	20"	48"	48"	18"	15"	30"	12"	17"	20"	10	12	14	10	C147E24
B148E24	75"	69"	37"	32"	32"	20"	48"	48"	18"	15"	30"	12"	17"	20"	10	12	14	10	C148E24
B168E24	75"	69"	37"	32"	32"	20"	48"	48"	18"	17"	30"	12"	17"	20"	10	12	14	10	C168E24
B188E24	75"	69"	37"	32"	32"	24"	48"	48"	18"	19"	30"	12"	17"	20"	3/16	10	14	10	C188E24

Heavier gauges/thicknesses are available upon request. Contact sales for price and availability.

Note: Dimensions (to the nearest whole inch) are for reference only and may be subject to change.

Industrial Bucket Elevators

Capacities at a glance

Belt

Centrifugal Discharge

Capacity*					Model	Bucket**		Belt		Head	
Tons Per Hour						Size	Spacing	FPM	RPM	Pulley	
Material Density										ft. ³ /hr.	Diameter
35#	50#	75#	100#								
03.9	05.6	08.4	11.2	223	B64A11	6"x4"	13"	180	62	11"	
09.1	13.1	19.6	26.1	522	B85A11	8"x5"	13"	180	62	11"	
05.0	07.2	10.7	14.3	286	B64A18	6"x4"	13"	230	48	18"	
11.7	16.7	25.0	33.4	667	B85A18	8"x5"	13"	230	48	18"	
13.2	18.8	28.2	37.7	753	B85A24	8"x5"	13"	260	41	24"	
19.7	28.1	42.1	56.2	1123	B106A24	10"x6"	15"	260	41	24"	
31.1	44.5	66.7	88.9	1778	B127A24	12"x7"	15"	260	41	24"	
31.6	45.1	67.6	90.2	1803	B147A24	14"x7"	18"	260	41	24"	
35.9	51.3	77.0	102.6	2052	B127A30	12"x7"	15"	300	38	30"	
36.4	52.0	78.0	104.0	2080	B147A30	14"x7"	18"	300	38	30"	
53.8	76.9	115.3	153.8	3075	B168A30	16"x8"	18"	300	38	30"	
61.7	88.2	132.3	176.4	3528	B188A30	18"x8"	18"	300	38	30"	

High Capacity Centrifugal Discharge

Capacity*					Model	Bucket**		Belt		Head	
Tons Per Hour						Size	Spacing	FPM	RPM	Pulley	
Material Density										ft. ³ /hr.	Diameter
35#	50#	75#	100#								
06.4	09.1	13.7	18.3	365	HB64A11	6"x4"	8"	180	62	11"	
14.9	21.3	31.9	42.6	851	HB85A11	8"x5"	8"	180	62	11"	
08.2	11.7	17.5	23.3	466	HB64A18	6"x4"	8"	230	48	18"	
16.9	24.1	36.2	48.2	964	HB85A18	8"x5"	9"	230	48	18"	
19.1	27.2	40.8	54.5	1089	HB85A24	8"x5"	9"	260	41	24"	
29.5	42.1	63.2	84.3	1685	HB106A24	10"x6"	10"	260	41	24"	
38.9	55.6	83.4	111.2	2223	HB127A24	12"x7"	12"	260	41	24"	
47.1	67.3	100.9	134.6	2691	HB147A24	14"x7"	12"	260	41	24"	
44.9	64.1	96.2	128.3	2565	HB127A30	12"x7"	12"	300	38	30"	
54.3	77.6	116.4	155.3	3105	HB147A30	14"x7"	12"	300	38	30"	
80.3	114.8	172.1	229.5	4590	HB168A30	16"x8"	12"	300	38	30"	
92.1	131.6	197.4	263.3	5265	HB188A30	18"x8"	12"	300	38	30"	

Continuous Discharge

Capacity*					Model	Bucket***		Belt		Head	
Tons Per Hour						Size	Spacing	FPM	RPM	Pulley	
Material Density										ft. ³ /hr.	Diameter
35#	50#	75#	100#								
16.0	22.9	34.3	45.7	914	B85E18	8"x5"	8"	180	38	18"	
17.8	25.4	38.1	50.8	1016	B85E24	8"x5"	8"	200	32	24"	
22.4	32.0	48.0	64.0	1280	B105E24	10"x5"	8"	200	32	24"	
29.1	41.6	62.4	83.3	1665	B107E24	10"x7"	12"	200	32	24"	
35.7	51.1	76.6	102.1	2042	B127E24	12"x7"	12"	200	32	24"	
41.9	59.9	89.8	119.7	2394	B147E24	14"x7"	12"	200	32	24"	
54.5	77.8	116.7	155.6	3112	B148E24	14"x8"	12"	200	32	24"	
62.2	88.9	133.4	177.9	3557	B168E24	16"x8"	12"	200	32	24"	
71.1	101.5	152.3	203.1	4061	B188E24	18"x8"	12"	200	32	24"	

* Approximate capacity with buckets 75% fill.
 ** Industrial duty style AA malleable iron buckets, other buckets optional.
 *** 10GA. Steel buckets, other buckets optional.

Chain

Centrifugal Discharge

Capacity*					Model	Bucket**		Chain		Head	
Tons Per Hour						Size	Spacing	FPM	RPM	Sprocket	
Material Density										ft. ³ /hr.	Pitch Dia.
35#	50#	75#	100#								
03.9	05.6	08.4	11.2	223	C64A11	6"x4"	13"	180	62	11"	
09.1	13.1	19.6	26.1	522	C85A11	8"x5"	13"	180	62	11"	
05.0	07.2	10.7	14.3	286	C64A18	6"x4"	13"	230	48	18"	
11.7	16.7	25.0	33.4	667	C85A18	8"x5"	13"	230	48	18"	
10.7	15.4	23.0	30.7	614	C85A24	8"x5"	16"	260	41	24.25"	
18.4	26.3	39.5	52.7	1053	C106A24	10"x6"	16"	260	41	24.25"	
29.2	41.7	62.5	83.4	1667	C127A24	12"x7"	16"	260	41	24.25"	
35.3	52.0	75.7	100.9	2018	C147A24	14"x7"	16"	260	41	24.25"	
28.3	40.4	60.6	80.8	1616	C127A30	12"x7"	19"	300	38	30.50"	
34.2	48.9	73.4	97.8	1956	C147A30	14"x7"	19"	300	38	30.50"	
50.6	72.3	108.5	144.6	2892	C168A30	16"x8"	19"	300	38	30.50"	
58.0	82.9	124.4	165.9	3317	C188A30	18"x8"	19"	300	38	30.50"	

High Capacity Centrifugal Discharge

Capacity*					Model	Bucket**		Chain		Head	
Tons Per Hour						Size	Spacing	FPM	RPM	Sprocket	
Material Density										ft. ³ /hr.	Pitch Dia.
35#	50#	75#	100#								
6.4	9.1	13.7	18.3	365	HC64A11	6"x4"	8"	180	62	11"	
14.9	21.3	31.9	42.6	851	HC85A11	8"x5"	8"	180	62	11"	
08.2	11.7	17.5	23.3	466	HC64A18	6"x4"	8"	230	48	18"	
12.7	18.1	27.2	36.3	725	HC85A18	8"x5"	12"	230	48	18"	
14.3	20.5	30.7	41.0	819	HC85A24	8"x5"	12"	260	41	24"	
24.6	35.1	52.7	70.2	1404	HC106A24	10"x6"	12"	260	41	24"	
38.9	55.6	83.4	111.2	2223	HC127A24	12"x7"	12"	260	41	24"	
47.1	67.3	100.9	134.6	2691	HC147A24	14"x7"	12"	260	41	24"	
37.7	53.9	80.8	107.8	2155	HC127A30	12"x7"	14"	300	38	30.50"	
45.6	65.2	97.8	130.4	2608	HC147A30	14"x7"	14"	300	38	30.50"	
67.5	96.4	144.6	192.8	3856	HC168A30	16"x8"	14"	300	38	30.50"	
77.4	110.6	165.9	221.2	4423	HC188A30	18"x8"	14"	300	38	30.50"	

Continuous Discharge

Capacity*					Model	Bucket***		Chain		Head	
Tons Per Hour						Size	Spacing	FPM	RPM	Sprocket	
Material Density										ft. ³ /hr.	Pitch Dia.
35#	50#	75#	100#								
08.9	12.7	19.1	25.4	508	C85E18	8"x5"	8"	100	21	18"	
11.1	15.9	23.8	31.8	635	C85E24	8"x5"	8"	125	20	24"	
14.0	20.0	30.0	40.0	800	C105E24	10"x5"	8"	125	20	24"	
18.2	26.0	39.0	52.0	1040	C107E24	10"x7"	12"	125	20	24"	
22.3	31.9	47.9	63.8	1276	C127E24	12"x7"	12"	125	20	24"	
26.2	37.4	56.1	74.8	1496	C147E24	14"x7"	12"	125	20	24"	
34.0	48.6	72.9	97.3	1945	C148E24	14"x8"	12"	125	20	24"	
38.9	55.6	83.4	111.2	2223	C168E24	16"x8"	12"	125	20	24"	
44.4	63.5	95.2	126.9	2538	C188E24	18"x8"	12"	125	20	24"	

ft.³/hr. — Cubic feet per hour # — lbs per cubic foot
 Note: Dimensions (to the nearest whole inch) are for reference only and may be subject to change.

THE MOST VERSATILE BUCKET ELEVATOR

Used for a wide range of products and many applications. Fully spaced buckets easily accommodate larger particle sizes. Setting the standard for the industry, dependable Sweet® Centrifugal Discharge and Continuous Discharge Elevators on belt and chain include:

Head Terminal

- Lined discharge areas and split head top covers on larger capacities.
- Lagged head pulleys or head sprocket with tapered bushings, cast iron drilled rim with finished bore, or flame cut sprockets.
- Quick opening inspection panels on both sides of head.
- Double row spherical lubricated head shaft bearings.
- Head shaft seals.
- Built-in motor supports.
- Designed specifically for all applications including high temperature and for use with powdery material.

Intermediate Trunking Sections

- Dust tight formed double angle corners, punched in fixture with caulked seams. Standard 10' lengths.
- Precision punched heavy duty galvanized angle flanges with fixtured continuous weld ensures squareness and simple field erection.

Inspection Section

- Four foot bolted service door with inspection panel, in 5' trunking section.
- Removable access panel on each side.

Boot Terminal

- Sealed external flange block lubricated ball bearings on boot shaft.
- Self-cleaning wing boot pulley or boot sprocket with tapered bushings.
- Bottom lined tapered inlet hopper.
- Easy access dual boot clean-out.
- Screw actuated manual take-up.

Finish

- Galvanized steel construction is standard and stainless steel construction is also available.

Options

- Shaft mounted drives with or without motor.
- Explosion vents in head terminal or intermediate trunking sections.
- Plugged chute switch at head discharge.
- Zero speed switch for boot shaft.
- Galvanized service platforms.
- Aluminum ladder with galvanized safety cage.
- 10 gauge (ga.), 3/16" and 1/4" AR 200 liner.
- 1/4" and 3/8" AR 200 liner.



Industrial Bucket Elevators



OTHER INDUSTRIAL PRODUCTS AVAILABLE FROM SWEET:

Formed Channel Belt Conveyors, Quick-Key® Spool Belt Conveyors, Elevator Support Towers, Conveyor Support Systems, and Bin Gates.



Telephone: 937-325-1511
 Fax: 937-322-1963
 Toll Free: 1-800-334-7254
 Website: www.sweetmfg.com
 E-mail: sales@sweetmfg.com

