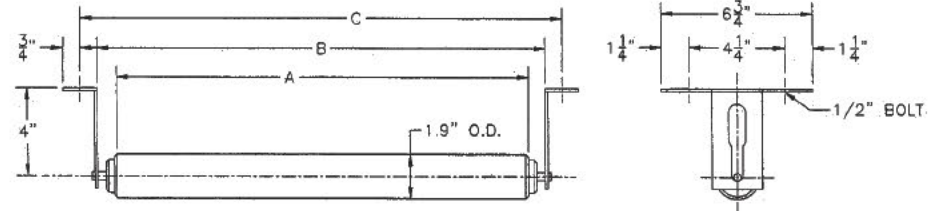
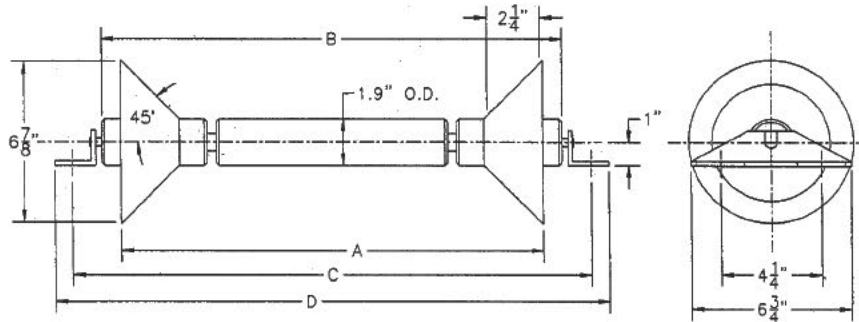


# Quick-Key® Spool Idler



Quick-Key® low profile spool idlers are perfect for building a conveyor from scratch or revamping a used unit especially when clearance height is a concern. They are constructed from galvanized steel tubing with extra strong pressed steel cones that have been zinc plated after welding for corrosion resistance. The complete assembly is a three piece design mounted on a 7/16" dia hex shaft with sealed, electric motor grade bearings and external shields to provide smooth and reliable belt movement while maintaining belt trough and maximizing idler and belt life.



BELT WIDTH	SPOOL IDLERS		DIMENSIONS IN INCHES			
	PART #	WT. LBS.	A	B	C	D
12*	0361000	7.8	12-3/8	14-1/4	16-1/8	17-5/8
14	0361001	8.1	14-3/8	16-1/4	18-1/8	19-5/8
16	0361002	8.4	16-3/8	18-1/4	20-1/8	21-5/8
18*	0361003	8.7	13-3/8	20-1/4	22-1/8	23-5/8
20	0361004	9.0	20-3/8	22-1/4	24-1/8	25-5/8
24*	0361005	9.6	24-3/8	26-1/4	28-1/8	29-5/8
30	0361006	10.5	30-3/8	32-1/4	34-1/8	35-5/8
36	0361007	11.4	36-3/8	38-1/4	40-1/8	41-5/8
Bracket	0361018	0.8	Dimensions Are Nominal			

\* Normal Stock. Non-Stock Requires Minimum Order of 3.

BELT WIDTH	RETURN IDLERS		DIMENSIONS IN INCHES		
	PART #	WT. LBS.	A	B	C
12*	0361010	2.4	13	14-1/4	16-1/8
14	0361011	2.7	15	16-1/4	18-1/8
16	0361012	3.0	17	18-1/4	20-1/8
18*	0361013	3.3	19	20-1/4	22-1/8
20	0361014	3.6	21	22-1/4	24-1/8
24*	0361015	4.2	25	26-1/4	28-1/8
30	0361016	5.1	31	32-1/4	34-1/8
36	0361017	6.0	37	38-1/4	40-1/8
Bracket	0361019	0.8	Dimensions Are Nominal		

\* Normal Stock. Non-Stock Requires Minimum Order of 3.

2000 E. LEFFEL LANE  
P.O. BOX 1086  
SPRINGFIELD, OHIO 45505  
www.sweetmfg.com



PHONE: 937-325-1511  
FAX: 937-322-1963  
US & CAN.: 1-800-334-7254  
EMAIL: sales@sweetmfg.com